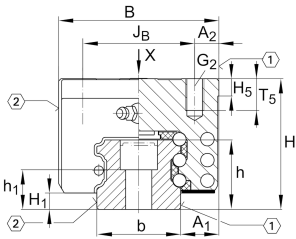
**KWSE30-H**

Recirculating ball bearing carriage

High, narrow carriage for six-row linear recirculating ball bearing and guideway assembly

X-life

Technical information

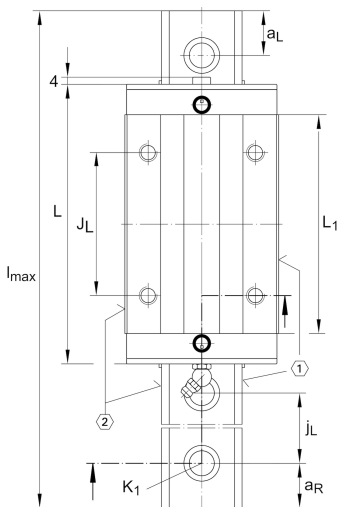


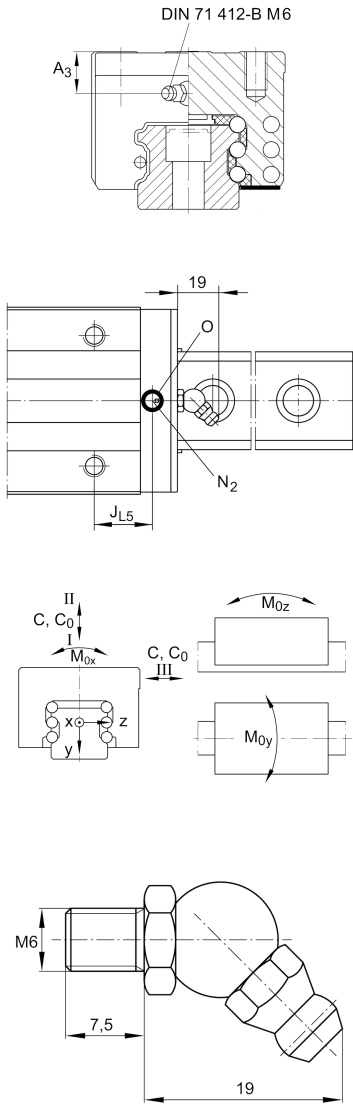
Your current product variant

Size Code	30
Carriage design	H High carriage

Main Dimensions & Performance Data

H	45 mm	Height system
B	60 mm	Width carriage
L	91,6 mm	Overall length carriage
I C	40.000 N	Dynamic load rating, load direction I: compressive load
I C ₀	80.000 N	Static load rating, load direction I: compressive load
II C	37.800 N	Dynamic load rating, load direction II: tensile load
II C ₀	60.000 N	Static load rating, load direction II: tensile load
III C	40.000 N	Dynamic load rating; basic dynamic load rating, Load direction III: lateral load
III C ₀	62.000 N	Static load rating, Load direction III: lateral load
≈m	0,9 kg	Weight





Mounting dimensions

A ₁	16 mm	Distance from locating edge on carriage to locating edge on guideway
J _B	40 mm	
b	28 mm	Width rail
A ₂	10 mm	Distance from locating edge to hole
L ₁	67,6 mm	
J _L	40 mm	
H ₁	5,4 mm	Free space, system dimension
H ₅	6 mm	
T ₅	11 mm	Thread depth
G ₂	M8	Fixing screws below (DIN ISO 4762-12.9)
G ₂ M _A	41 Nm	Maximum tightening torque
N ₂	4,5 mm	Max. diameter of lubrication hole in adjacent construction
J _{L5}	18,8 mm	Position lubrication connector
A ₃	9,5 mm	Position lubrication connector
t A ₃	7 mm	Maximum permissible screw depth for lubrication connectors
O	4,5x1,5	O-Ring DIN 3771
M _{0X}	1,350 Nm	Moment
M _{0Y}	800 Nm	Moment
M _{0Z}	710 Nm	Moment

Additional information

VMKB_065	KWSE	Material name
----------	------	---------------