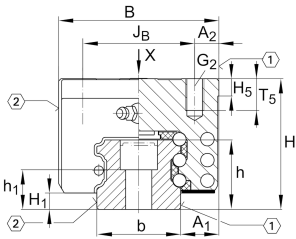
**KWSE20-HL**

## Recirculating ball bearing carriage

High, narrow, long carriage for six-row linear recirculating ball bearing and guideway assembly

X-life

## Technical information

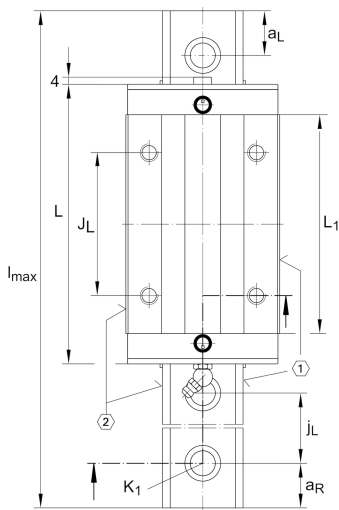


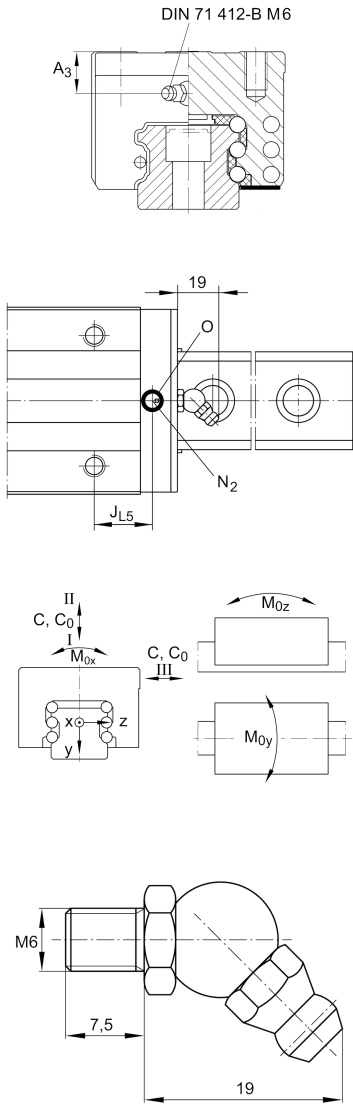
## Your current product variant

Size Code	20
Carriage design	HL High, long carriage

## Main Dimensions &amp; Performance Data

H	30 mm	Height system
B	44 mm	Width carriage
L	91,9 mm	Overall length carriage
I C	35.000 N	Dynamic load rating, load direction I: compressive load
I C <sub>0</sub>	83.000 N	Static load rating, load direction I: compressive load
II C	25.000 N	Dynamic load rating, load direction II: tensile load
II C <sub>0</sub>	47.000 N	Static load rating, load direction II: tensile load
III C	26.000 N	Dynamic load rating; basic dynamic load rating, Load direction III: lateral load
III C <sub>0</sub>	48.000 N	Static load rating, Load direction III: lateral load
≈m	0,44 kg	Weight





### Mounting dimensions

A <sub>1</sub>	12 mm	Distance from locating edge on carriage to locating edge on guideway
J <sub>B</sub>	32 mm	
b	20 mm	Width rail
A <sub>2</sub>	6 mm	Distance from locating edge to hole
L <sub>1</sub>	72,9 mm	
J <sub>L</sub>	50 mm	
H <sub>1</sub>	4,6 mm	Free space, system dimension
H <sub>5</sub>	5 mm	
T <sub>5</sub>	6 mm	Thread depth
G <sub>2</sub>	M5	Fixing screws below (DIN ISO 4762-12.9)
G <sub>2</sub> M <sub>A</sub>	10 Nm	Maximum tightening torque
N <sub>2</sub>	3 mm	Max. diameter of lubrication hole in adjacent construction
J <sub>L5</sub>	15,19 mm	Position lubrication connector
A <sub>3</sub>	5,8 mm	Position lubrication connector
t A <sub>3</sub>	7 mm	Maximum permissible screw depth for lubrication connectors
O	3x1,5	O-Ring DIN 3771
M <sub>0X</sub>	730 Nm	Moment
M <sub>0Y</sub>	640 Nm	Moment
M <sub>0Z</sub>	570 Nm	Moment

### Additional information

VMKB_065	KWSE	Material name
----------	------	---------------