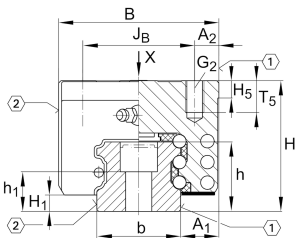
**KWSE25-HL**

Recirculating ball bearing carriage

High, narrow, long carriage for six-row linear recirculating ball bearing and guideway assembly

X-life

Technical information

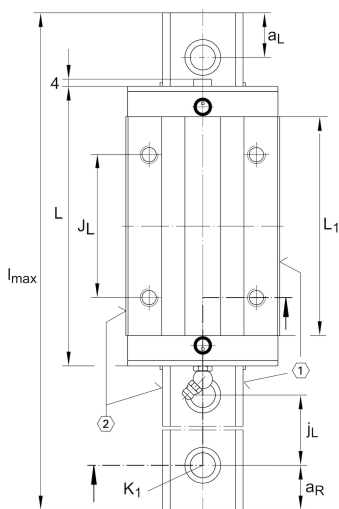


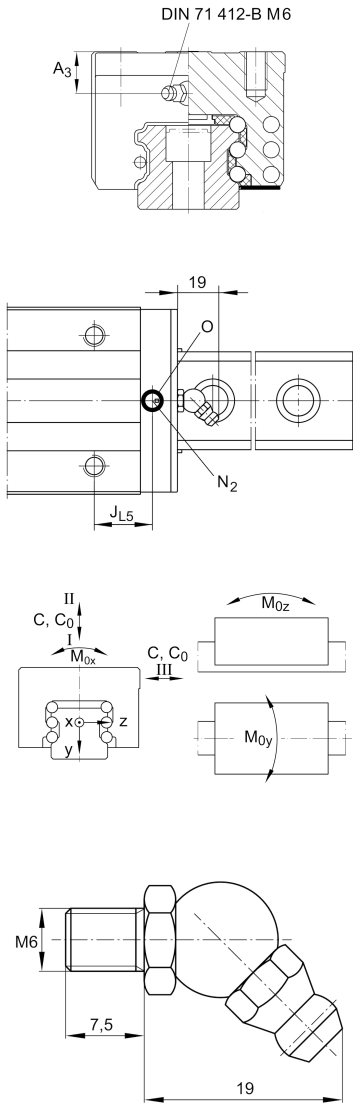
Your current product variant

| | |
|-----------------|------------------------|
| Size code | 25 |
| Carriage design | HL High, long carriage |

Main Dimensions & Performance Data

| | | |
|--------------------|-----------|--|
| H | 40 mm | Height system |
| B | 48 mm | Width carriage |
| L | 104,3 mm | Overall length carriage |
| I C | 47.000 N | Dynamic load rating, load direction I: compressive load |
| I C ₀ | 112.000 N | Static load rating, load direction I: compressive load |
| II C | 33.000 N | Dynamic load rating, load direction II: tensile load |
| II C ₀ | 62.000 N | Static load rating, load direction II: tensile load |
| III C | 35.000 N | Dynamic load rating; basic dynamic load rating, Load direction III: lateral load |
| III C ₀ | 65.000 N | Static load rating, Load direction III: lateral load |
| ≈m | 0,7 kg | Weight |





Mounting dimensions

| | | |
|-------------------------------|----------|--|
| A ₁ | 12,5 mm | Distance from locating edge on carriage to locating edge on guideway |
| J _B | 35 mm | |
| b | 23 mm | Width rail |
| A ₂ | 6,5 mm | Distance from locating edge to hole |
| L ₁ | 83,4 mm | |
| J _L | 50 mm | |
| H ₁ | 5,2 mm | Free space, system dimension |
| H ₅ | 5 mm | |
| T ₅ | 10 mm | Thread depth |
| G ₂ | M6 | Fixing screws below (DIN ISO 4762-12.9) |
| G ₂ M _A | 17 Nm | Maximum tightening torque |
| N ₂ | 3 mm | Max. diameter of lubrication hole in adjacent construction |
| J _{L5} | 21,69 mm | Position lubrication connector |
| A ₃ | 10 mm | Position lubrication connector |
| t A ₃ | 7 mm | Maximum permissible screw depth for lubrication connectors |
| O | 3x1,5 | O-Ring DIN 3771 |
| M _{0X} | 1.160 Nm | Moment |
| M _{0Y} | 930 Nm | Moment |
| M _{0Z} | 830 Nm | Moment |

Additional information

| | | |
|----------|------|---------------|
| VMKB_065 | KWSE | Material name |
|----------|------|---------------|