

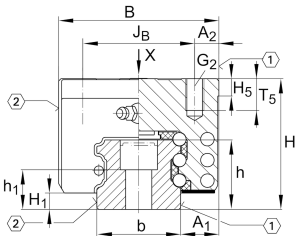
### KWSE30-HL

#### Recirculating ball bearing carriage

High, narrow, long carriage for six-row linear recirculating ball bearing and guideway assembly

X-life

## Technical information

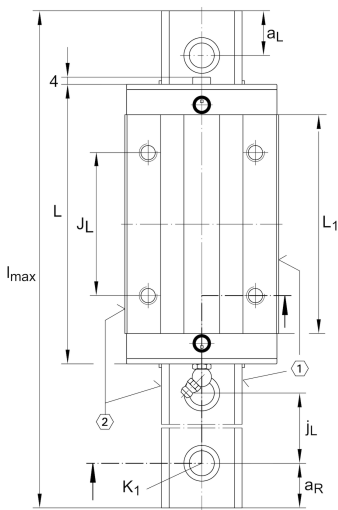


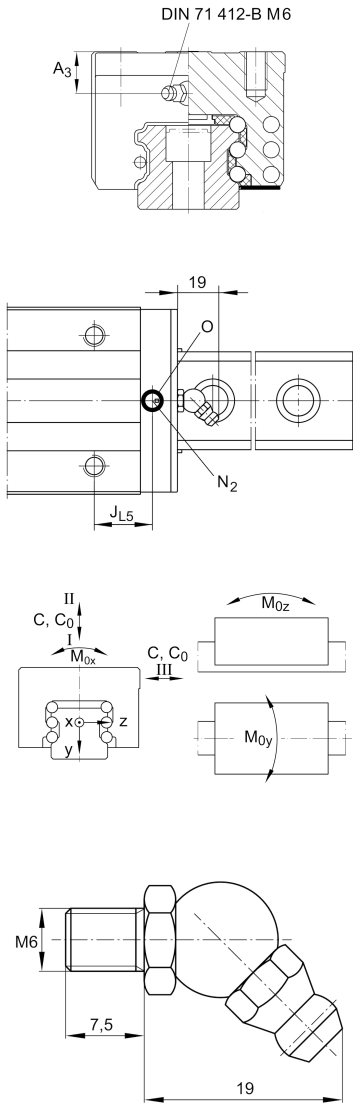
### Your current product variant

Size code	30	
Carriage design	HL	High, long carriage

### Main Dimensions & Performance Data

H	45 mm	Height system
B	60 mm	Width carriage
L	119,3 mm	Overall length carriage
I C	68.000 N	Dynamic load rating, load direction I: compressive load
I C <sub>0</sub>	152.000 N	Static load rating, load direction I: compressive load
II C	48.000 N	Dynamic load rating, load direction II: tensile load
II C <sub>0</sub>	85.000 N	Static load rating, load direction II: tensile load
III C	50.000 N	Dynamic load rating; basic dynamic load rating, Load direction III: lateral load
III C <sub>0</sub>	88.000 N	Static load rating, Load direction III: lateral load
≈m	1,2 kg	Weight





### Mounting dimensions

A <sub>1</sub>	16 mm	Distance from locating edge on carriage to locating edge on guideway
J <sub>B</sub>	40 mm	
b	28 mm	Width rail
A <sub>2</sub>	10 mm	Distance from locating edge to hole
L <sub>1</sub>	95,3 mm	
J <sub>L</sub>	60 mm	
H <sub>1</sub>	5,4 mm	Free space, system dimension
H <sub>5</sub>	6 mm	
T <sub>5</sub>	11 mm	Thread depth
G <sub>2</sub>	M8	Fixing screws below (DIN ISO 4762-12.9)
G <sub>2</sub> M <sub>A</sub>	41 Nm	Maximum tightening torque
N <sub>2</sub>	4,5 mm	Max. diameter of lubrication hole in adjacent construction
J <sub>L5</sub>	22,65 mm	Position lubrication connector
A <sub>3</sub>	9,5 mm	Position lubrication connector
t A <sub>3</sub>	7 mm	Maximum permissible screw depth for lubrication connectors
O	4,5x1,5	O-Ring DIN 3771
M <sub>0X</sub>	1.920 Nm	Moment
M <sub>0Y</sub>	1.540 Nm	Moment
M <sub>0Z</sub>	1.360 Nm	Moment

### Additional information

VMKB_065	KWSE	Material name
----------	------	---------------