

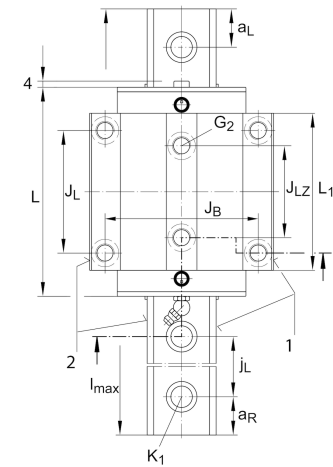
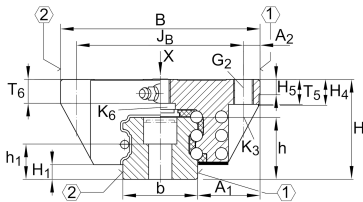
**KWSE35**

## Recirculating ball bearing carriage

Standard carriage for six-row linear recirculating ball bearing and guideway assembly

X-life

## Technical information

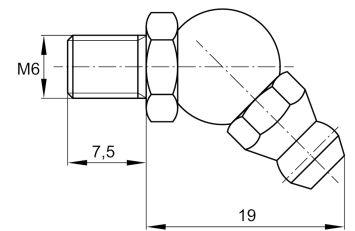
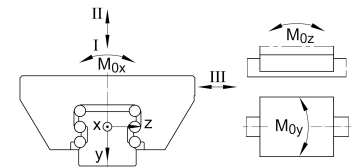
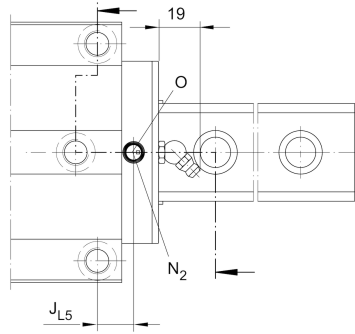
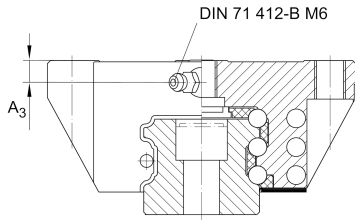


## Your current product variant

Size Code	35
-----------	----

## Main Dimensions &amp; Performance Data

H	48 mm	Height system
B	100 mm	Width carriage
L	107,2 mm	Overall length carriage
I C	55.000 N	Dynamic load rating, load direction I: compressive load
I C <sub>0</sub>	102.000 N	Static load rating, load direction I: compressive load
II C	53.300 N	Dynamic load rating, load direction II: tensile load
II C <sub>0</sub>	82.400 N	Static load rating, load direction II: tensile load
III C	56.600 N	Dynamic load rating; basic dynamic load rating, Load direction III: lateral load
III C <sub>0</sub>	89.150 N	Static load rating, Load direction III: lateral load
≈m	1,5 kg	Weight



### Mounting dimensions

A <sub>1</sub>	33 mm	Distance from locating edge on carriage to locating edge on guideway
J <sub>B</sub>	82 mm	
b	34 mm	Width rail
A <sub>2</sub>	9 mm	Distance from locating edge to hole
L <sub>1</sub>	78,3 mm	
J <sub>L</sub>	62 mm	
J <sub>LZ</sub>	52 mm	
H <sub>1</sub>	6,6 mm	Free space, system dimension
H <sub>4</sub>	13,3 mm	
H <sub>5</sub>	6,5 mm	
T <sub>5</sub>	13 mm	Thread depth
T <sub>6</sub>	12 mm	
G <sub>2</sub>	M10	Fixing screws below (DIN ISO 4762-12.9)
G <sub>2 M<sub>A</sub></sub>	41 Nm	Maximum tightening torque
K <sub>3</sub>	M8	Fixing screws below (DIN ISO 4762-12.9)
K <sub>3 M<sub>A</sub></sub>	41 Nm	Maximum tightening torque
K <sub>6</sub>	M8	Fixing screws below (DIN ISO 4762-12.9)
K <sub>6 M<sub>A</sub></sub>	24 Nm	Maximum tightening torque
D <sub>2</sub>	8,6 mm	
N <sub>2</sub>	4,5 mm	Max. diameter of lubrication hole in adjacent construction
J <sub>L5</sub>	11,93 mm	Position lubrication connector
A <sub>3</sub>	7,2 mm	Position lubrication connector
t <sub>A<sub>3</sub></sub>	7 mm	Maximum permissible screw depth for lubrication connectors
O	4,5x1,5	O-Ring DIN 3771
M <sub>0X</sub>	2.300 Nm	Moment
M <sub>0Y</sub>	1.300 Nm	Moment
M <sub>0Z</sub>	1.140 Nm	Moment



View product details on medias

02.05.2026, 20:03:55 UTC

**SCHAEFFLER**

### Additional information

---

VMKB\_065

KWSE

Material name