

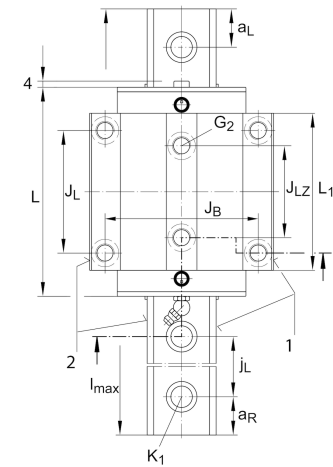
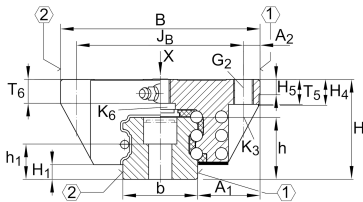
**KWSE45**

## Recirculating ball bearing carriage

Standard carriage for six-row linear recirculating ball bearing and guideway assembly

X-life

## Technical information



## Your current product variant

Size code	45
-----------	----

## Main Dimensions &amp; Performance Data

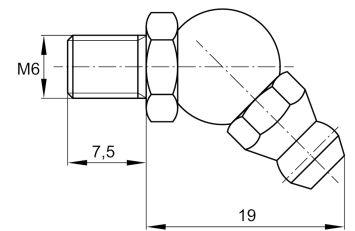
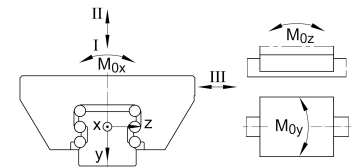
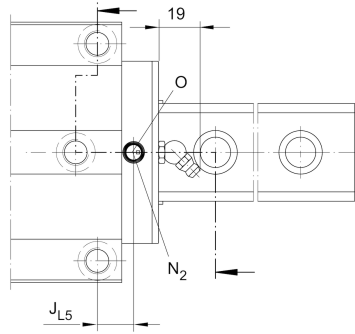
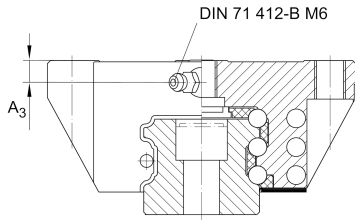
H	60 mm	Height system
B	120 mm	Width carriage
L	138,7 mm	Overall length carriage
I C	103.000 N	Dynamic load rating, load direction I: compressive load
I C <sub>0</sub>	212.000 N	Static load rating, load direction I: compressive load
II C	72.300 N	Dynamic load rating, load direction II: tensile load
II C <sub>0</sub>	117.400 N	Static load rating, load direction II: tensile load
III C	76.900 N	Dynamic load rating; basic dynamic load rating, Load direction III: lateral load
III C <sub>0</sub>	121.800 N	Static load rating, Load direction III: lateral load
≈m	3,15 kg	Weight



View product details on medias

24.06.2026, 15:10:33 UTC

SCHAEFFLER



## Mounting dimensions

A <sub>1</sub>	37,5 mm	Distance from locating edge on carriage to locating edge on guideway
J <sub>B</sub>	100 mm	
b	45 mm	Width rail
A <sub>2</sub>	10 mm	Distance from locating edge to hole
L <sub>1</sub>	103,1 mm	
J <sub>L</sub>	80 mm	
J <sub>LZ</sub>	60 mm	
H <sub>1</sub>	8,6 mm	Free space, system dimension
H <sub>4</sub>	17,7 mm	
H <sub>5</sub>	9 mm	
T <sub>5</sub>	15 mm	Thread depth
T <sub>6</sub>	15 mm	
G <sub>2</sub>	M12	Fixing screws below (DIN ISO 4762-12.9)
G <sub>2 M<sub>A</sub></sub>	83 Nm	Maximum tightening torque
K <sub>3</sub>	M10	Fixing screws below (DIN ISO 4762-12.9)
K <sub>3 M<sub>A</sub></sub>	83 Nm	Maximum tightening torque
K <sub>6</sub>	M10	Fixing screws below (DIN ISO 4762-12.9)
K <sub>6 M<sub>A</sub></sub>	48 Nm	Maximum tightening torque
D <sub>2</sub>	10,6 mm	
N <sub>2</sub>	6 mm	Max. diameter of lubrication hole in adjacent construction
J <sub>L5</sub>	15,65 mm	Position lubrication connector
A <sub>3</sub>	8,5 mm	Position lubrication connector
t <sub>A<sub>3</sub></sub>	7 mm	Maximum permissible screw depth for lubrication connectors
O	7x1,5	O-Ring DIN 3771
M <sub>0X</sub>	4.500 Nm	Moment
M <sub>0Y</sub>	2.280 Nm	Moment
M <sub>0Z</sub>	2.050 Nm	Moment

The data sheet only contains an overview of the technical data of the selected product. Please refer to the additional documentation for this product. For further information, please use the following link on our website: [Contact form](#)



View product details on medias

24.06.2026, 15:10:33 UTC

**SCHAEFFLER**

### Additional information

---

VMKB_065	KWSE	Material name
----------	------	---------------