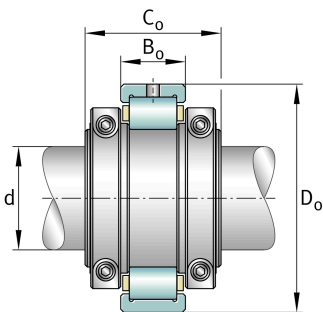
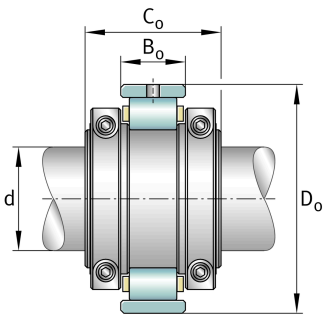


**FAG****S1B-125MM-HD** [↗](#)

Plummer block housing unit

FAG split cylindrical roller bearing housing

Technical information

**Main Dimensions & Performance Data**

d	125 mm	Shaft diameter
≈m	11,567 kg	Weight

Dimensions

	S1B-125MM-FL	Bearing float
	S1B-125MM-HD	Bearing held
C_a	3.024,64 N	Basic dynamic load rating, axial
C_r	321.737,184 N	Basic dynamic load rating, radial
C_{0r}	492.144,512 N	Basic static load rating, radial
	1.940 1/min	Limiting speed
D_o	222,25 mm	Outside diameter bearing
C_o	89,687 mm	Width inner ring
B_o	53,975 mm	Width outer ring