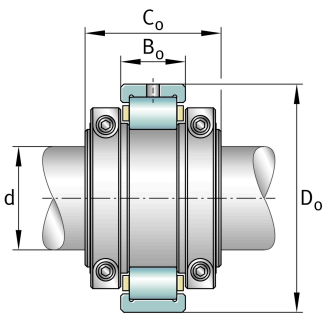
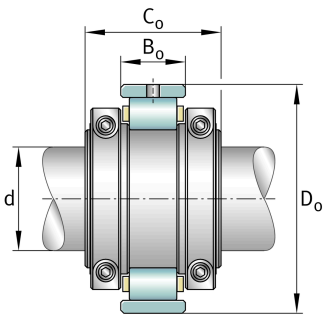


**FAG****S1B-150MM-HD** [↗](#)

Plummer block housing unit

FAG split cylindrical roller bearing housing

## Technical information

**Main Dimensions & Performance Data**

d	150 mm	Shaft diameter
≈m	16,828 kg	Weight

**Dimensions**

	S1B-150MM-FL	Bearing float
	S1B-150MM-HD	Bearing held
$C_a$	3.367,136 N	Basic dynamic load rating, axial
$C_r$	387.024,928 N	Basic dynamic load rating, radial
$C_{0r}$	626.313,984 N	Basic static load rating, radial
	1.670 1/min	Limiting speed
$D_0$	254 mm	Outside diameter bearing
$C_0$	98,425 mm	Width inner ring
$B_0$	55,575 mm	Width outer ring