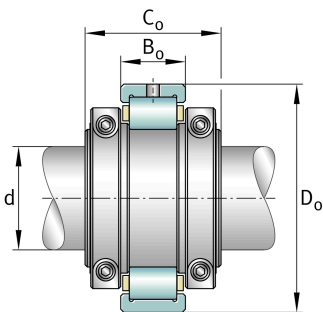
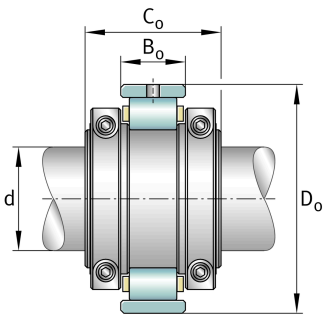


**FAG****S2B-100MM-HD** [↗](#)

Plummer block housing unit

FAG split cylindrical roller bearing housing

## Technical information

**Main Dimensions & Performance Data**

d	100 mm	Shaft diameter
≈m	9,888 kg	Weight

**Dimensions**

	S2B-100MM-FL	Bearing float
	S2B-100MM-HD	Bearing held
$C_a$	3.384,928 N	Basic dynamic load rating, axial
$C_r$	329.877,024 N	Basic dynamic load rating, radial
$C_{0r}$	467.315,776 N	Basic static load rating, radial
	2.230 1/min	Limiting speed
$D_0$	193,675 mm	Outside diameter bearing
$C_0$	91,999 mm	Width inner ring
$B_0$	51,587 mm	Width outer ring