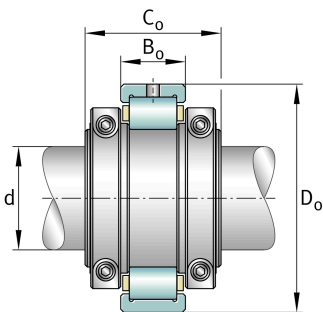
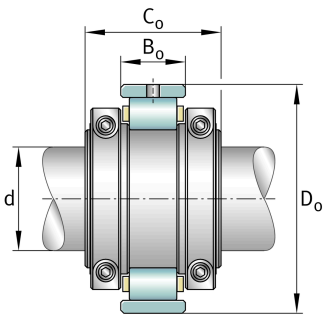


**FAG****S1B-75MM-FL**

Plummer block housing unit

FAG split cylindrical roller bearing housing

## Technical information

**Main Dimensions & Performance Data**

d	75 mm	Shaft diameter
≈m	2,722 kg	Weight

**Dimensions**

	S1B-75MM-FL	Bearing float
	S1B-75MM-HD	Bearing held
$C_a$	1.912,64 N	Basic dynamic load rating, axial
$C_r$	131.852,064 N	Basic dynamic load rating, radial
$C_{0r}$	177.070,432 N	Basic static load rating, radial
	3.190 1/min	Limiting speed
$D_o$	133,35 mm	Outside diameter bearing
$C_o$	61,214 mm	Width inner ring
$B_o$	31,75 mm	Width outer ring