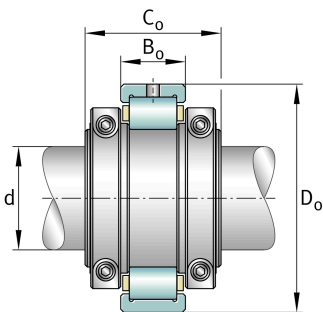
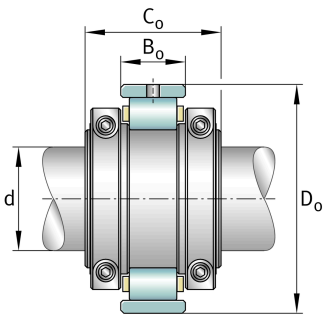


**FAG****S1B-90MM-FL**

Plummer block housing unit

FAG split cylindrical roller bearing housing

Technical information

**Main Dimensions & Performance Data**

d	90 mm	Shaft diameter
≈m	4,173 kg	Weight

Dimensions

	S1B-90MM-FL	Bearing float
	S1B-90MM-HD	Bearing held
C_a	2,001,6 N	Basic dynamic load rating, axial
C_r	165.914,848 N	Basic dynamic load rating, radial
C_{0r}	233.057,408 N	Basic static load rating, radial
	2.740 1/min	Limiting speed
D_0	152,4 mm	Outside diameter bearing
C_0	70,637 mm	Width inner ring
B_0	38,887 mm	Width outer ring