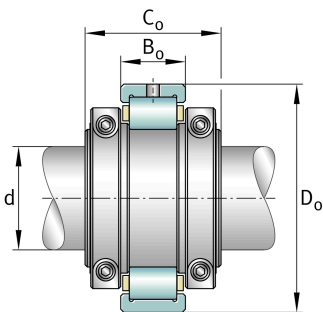
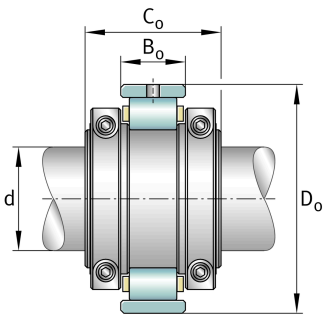


**FAG****S1B-100MM-FL** [↗](#)

Plummer block housing unit

FAG split cylindrical roller bearing housing

Technical information

**Main Dimensions & Performance Data**

d	100 mm	Shaft diameter
≈m	6,305 kg	Weight

Dimensions

	S1B-100MM-FL	Bearing float
	S1B-100MM-HD	Bearing held
C_a	2,437,504 N	Basic dynamic load rating, axial
C_r	226.278,656 N	Basic dynamic load rating, radial
C_{0r}	322.800,256 N	Basic static load rating, radial
	2.400 1/min	Limiting speed
D_o	174,625 mm	Outside diameter bearing
C_o	80,975 mm	Width inner ring
B_o	45,237 mm	Width outer ring