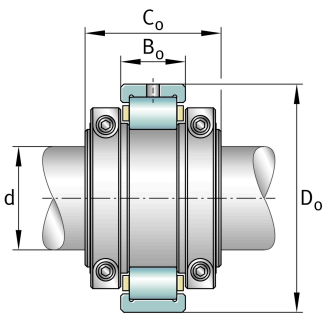
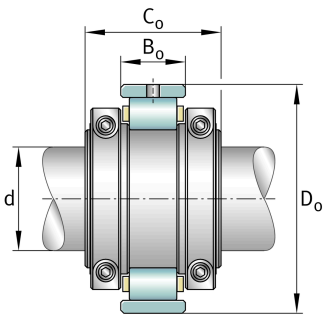


**FAG****S1B-150MM-FL** [↗](#)

Plummer block housing unit

FAG split cylindrical roller bearing housing

Technical information

**Main Dimensions & Performance Data**

d	150 mm	Shaft diameter
≈m	16,828 kg	Weight

Dimensions

	S1B-150MM-FL	Bearing float
	S1B-150MM-HD	Bearing held
C_a	3.367,136 N	Basic dynamic load rating, axial
C_r	387.024,928 N	Basic dynamic load rating, radial
C_{0r}	626.313,984 N	Basic static load rating, radial
	1.670 1/min	Limiting speed
D_0	254 mm	Outside diameter bearing
C_0	98,425 mm	Width inner ring
B_0	55,575 mm	Width outer ring