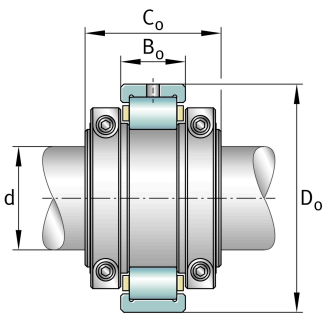
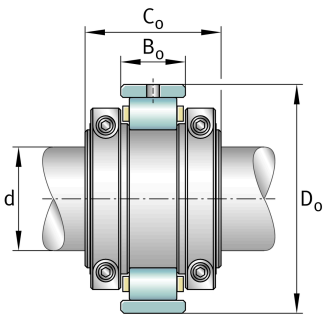


**FAG****S2B-100MM-FL** [↗](#)

Plummer block housing unit

FAG split cylindrical roller bearing housing

Technical information

**Main Dimensions & Performance Data**

| | | |
|----|----------|----------------|
| d | 100 mm | Shaft diameter |
| ≈m | 9,888 kg | Weight |

Dimensions

| | | |
|----------|---------------|-----------------------------------|
| | S2B-100MM-FL | Bearing float |
| | S2B-100MM-HD | Bearing held |
| C_a | 3.384,928 N | Basic dynamic load rating, axial |
| C_r | 329.877,024 N | Basic dynamic load rating, radial |
| C_{0r} | 467.315,776 N | Basic static load rating, radial |
| | 2.230 1/min | Limiting speed |
| D_0 | 193,675 mm | Outside diameter bearing |
| C_0 | 91,999 mm | Width inner ring |
| B_0 | 51,587 mm | Width outer ring |