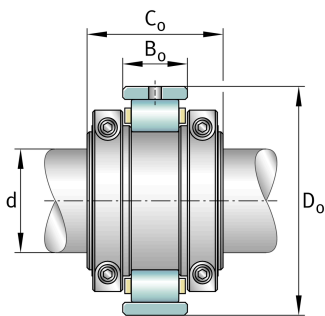
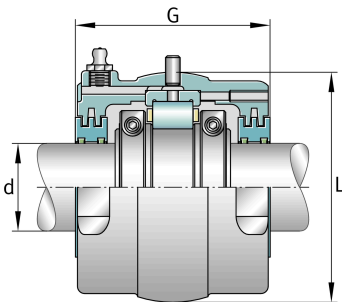
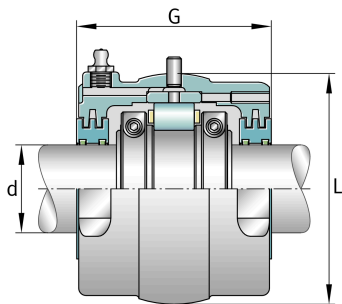
**FAG****S1BC-240MM-HD**

Plummer block housing unit

FAG split cylindrical roller bearing housing

## Technical information

**Main Dimensions & Performance Data**

d	240 mm	Shaft diameter
≈m	102,965 kg	Weight

**Dimensions**

	S1BC-240MM-FL	Cartridge float bearing
	S1BC-240MM-HD	Cartridge held bearing
	S1C-1000	Cartridge
$L_{null}$	419,1 mm	Outside diameter cartridge
G	222,25 mm	Lenght through bore
	S1B-240MM-FL	Bearing float
	S1B-240MM-HD	Bearing held
	37,195 kg	Bearing weight
$C_r$	601.116,064 N	Basic dynamic load rating, radial
$C_a$	41.001,664 N	Basic dynamic load rating, axial
$C_{0r}$	1.176.571,616 N	Basic static load rating, radial
	1.080 1/min	Limiting speed
$D_0$	374,65 mm	Outside diameter bearing
$C_0$	121,996 mm	Width inner ring
$B_0$	66,675 mm	Width outer ring
	1,905 kg	Grease capacity



View product details on medias

10.06.2026, 21:54:49 UTC

SCHAEFFLER

