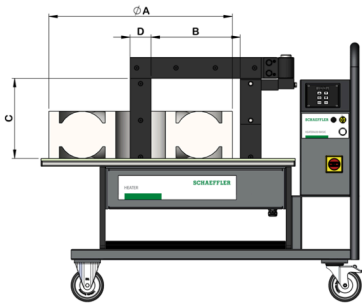


HEATER600-BASIC-450V [↗](#)

Induction heating device

HEATER basic

Technical information



Your current product variant

Series	BASIC	Base version
--------	-------	--------------

Technical data

U	450 V	Operating voltage
f	50 – 60 Hz	Power frequency
P	18 kVA	Power consumption
I	40 A	Current rating
$\vartheta_{h \text{ max}}$	240 °C	Max. heating temperature
	0 – 99 min	Heating time
	Digital	Display
	1	Magnetic probe, quantity
$\approx m$	210 kg	Weight



Functions

+	Temperature hold
+	Automatic demagnetization, <2A/cm
+	Swivel arm
—	Log function
—	Delta-T control
+	Temperature control
+	Time control
—	Temperature and time control
—	Temperature and speed control
+	Overheating protection
+	Automatic power reduction
+	Device supports horizontal / lying heating of the workpiece
+	Device supports vertical / hanging heating of the workpiece
+	Device mobile

Dimensions

	1.344 mm	Length HEATER
	560 mm	Width HEATER
	990 mm	Height HEATER
B	400 mm	Space between poles
C	315 mm	Pole length
D	90x110	Pole cross section (mm ²)



Workpiece to be heated

	130 mm	Min. inner diameter workpiece, vertical heating: with included yoke
	60 mm	Min. inner diameter workpiece, vertical heating: with optional yoke
	150 mm	Min. inner diameter workpiece, horizontal heating
ØA _{max}	1.050 mm	Max. outer diameter workpiece
	395 mm	Max. workpiece width, vertical heating
	310 mm	Max. workpiece width, horizontal heating
m _{b max}	600 kg	Max. workpiece weight

Additional information

	1	Yokes included, quantity
	90x90	Yokes included, cross section (mm ²)