

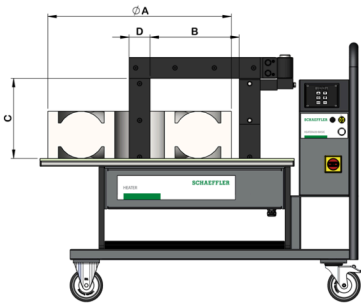


## HEATER400-SMART-450V [↗](#)

Induction heating device

HEATER smart

### Technical information



#### Your current product variant

Series	SMART	Extended functionality
--------	-------	------------------------

#### Technical data

U	450 V	Operating voltage
f	50 – 60 Hz	Power frequency
P	12 kVA	Power consumption
I	25 A	Current rating
$\vartheta_{h \text{ max}}$	240 °C	Max. heating temperature
	0 – 99 min	Heating time
	Touch	Display
	2	Magnetic probe, quantity
$\approx m$	176 kg	Weight



### Functions

+	Temperature hold
+	Automatic demagnetization, <2A/cm
+	Swivel arm
+	Log function
+	Delta-T control
+	Temperature control
+	Time control
+	Temperature and time control
+	Temperature and speed control
+	Overheating protection
only in temp. and speed mode	Automatic power reduction
+	Device supports horizontal / lying heating of the workpiece
+	Device supports vertical / hanging heating of the workpiece
+	Device mobile

### Dimensions

	1.214 mm	Length HEATER
	560 mm	Width HEATER
	990 mm	Height HEATER
B	320 mm	Space between poles
C	305 mm	Pole length
D	80x100	Pole cross section (mm <sup>2</sup> )



### Workpiece to be heated

	115 mm	Min. inner diameter workpiece, vertical heating: with included yoke
	30 mm	Min. inner diameter workpiece, vertical heating: with optional yoke
	135 mm	Min. inner diameter workpiece, horizontal heating
ØA <sub>max</sub>	850 mm	Max. outer diameter workpiece
	315 mm	Max. workpiece width, vertical heating
	300 mm	Max. workpiece width, horizontal heating
m <sub>b max</sub>	400 kg	Max. workpiece weight

### Additional information

	1	Yokes included, quantity
	80x80	Yokes included, cross section (mm <sup>2</sup> )