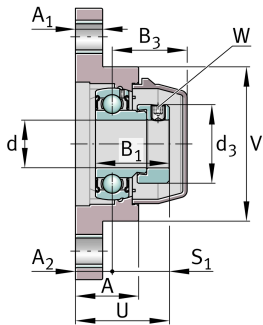
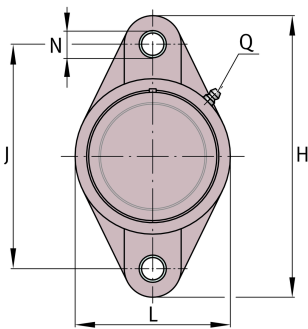


**RCJT40-TV-VA-FD**

Flanged housing unit

Flanged housing units, FD design

Technical information

**Your current product variant**

Special material	TV	Plastic housing
Material	TV-FD	Plastic for food industry
Corrosion resistant bearing	VA	Corrosion-resistant VA design

Main Dimensions & Performance Data

d	40 mm	Bore diameter
L	100 mm	Flange width
H	175 mm	Height flange
U	56,2 mm	Total height unit
C _r	29.520 N	Basic dynamic load rating, radial
C _{0r}	18.140 N	Basic static load rating, radial
C _{ur}	800 N	Fatigue load limit, radial
C _{0rG}	14.900 N	Load carrying capacity (housing)
m	0,88 kg	Weight

Mounting dimensions

J	144 mm	Distance fixing bore
N	14 mm	Fixing bore
W	4 mm	Width of flats



Dimensions

A	37,5 mm	Height housing
A ₁	20 mm	Thickness of flange
A ₂	21,5 mm	Distance raceway
B ₁	43,7 mm	Locking collar total width
B ₃	49,5 mm	Distance housing centre to cap end
S ₁	34,7 mm	Distance of raceway to locking collar
V	100 mm	Shoulder diameter housing
Q	1/4"-28 UNF	Connection thread for lubrication
d ₃	60,3 mm	Outside diameter locking collar

Additional information

GEH.CJT08-TV-WHT	Housing
GE40-KRR-B-FA107-VA-FD	Bearing designation
KASK08-S-G-WHT	Protecting cap

Temperature range

T _{min}	-30 °C	Operating temperature min.
T _{max}	100 °C	Operating temperature max.