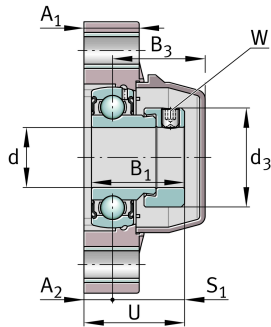
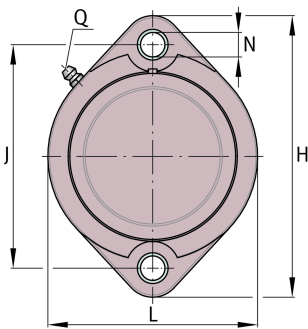
**GLCTE35-TV-VA-FD**

Flanged housing unit

Flanged housing units, FD design

## Technical information

**Your current product variant**

Special material	TV	Plastic housing
Material	TV-FD	Plastic for food industry
Corrosion resistant bearing	VA	Corrosion-resistant VA design

**Main Dimensions & Performance Data**

d	35 mm	Bore diameter
L	94 mm	Flange width
H	126 mm	Height flange
U	42,8 mm	Total height unit
C <sub>r</sub>	25.670 N	Basic dynamic load rating, radial
C <sub>0r</sub>	15.300 N	Basic static load rating, radial
C <sub>ur</sub>	655 N	Fatigue load limit, radial
C <sub>0rG</sub>	12.600 N	Load carrying capacity (housing)
m	0,66 kg	Weight

**Mounting dimensions**

J	100 mm	Distance fixing bore
N	11 mm	Fixing bore
W	3 mm	Width across flats



### Dimensions

A <sub>1</sub>	22,5 mm	Thickness of flange
A <sub>2</sub>	12,4 mm	Distance raceway
B <sub>1</sub>	38,9 mm	Locking collar total width
B <sub>3</sub>	41,1 mm	Distance housing centre to cap end
S <sub>1</sub>	30,4 mm	Distance raceway to locking collar
Q	1/4"-28 UNF	Connection thread for lubrication
d <sub>3</sub>	55,6 mm	Outside diameter eccentric locking collar

### Additional information

GEH.GLCTE07-TV-WHT	Housing
GE35-KRR-B-FA107-VA-FD	Bearing designation
KASK07-S-G-WHT	Protecting cap

### Temperature range

T <sub>min</sub>	-30 °C	Operating temperature min.
T <sub>max</sub>	100 °C	Operating temperature max.