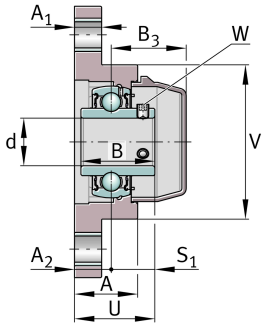
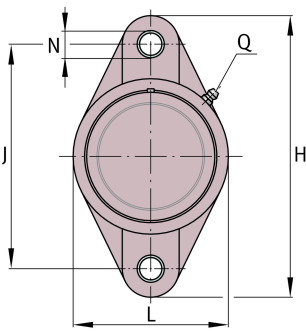


**RCJTY20-TV-VA-FD** [↗](#)

Flanged housing unit

Flanged housing units, FD design

Technical information

**Your current product variant**

Special material	TV	Plastic housing
Material	TV-FD	Plastic for food industry
Corrosion resistant bearing	VA	Corrosion-resistant VA design

Main Dimensions & Performance Data

d	20 mm	Bore diameter
L	64,8 mm	Flange width
H	114 mm	Height flange
U	33,7 mm	Total height unit
C _r	10.900 N	Basic dynamic load rating, radial
C _{0r}	5.300 N	Basic static load rating, radial
C _{ur}	280 N	Fatigue load limit, radial
C _{0rG}	8.500 N	Load carrying capacity (housing)
m	0,25 kg	Weight

Mounting dimensions

J	90 mm	Distance fixing bore
N	11 mm	Fixing bore
W	2,5 mm	Width across flats



Dimensions

A	26,5 mm	Height housing
A ₁	11,4 mm	Thickness of flange
A ₂	15,4 mm	Distance raceway
B	31 mm	Width
B ₃	31,4 mm	Distance housing centre to cap end
S ₁	18,3 mm	Distance raceway to locking device
V	64,8 mm	Shoulder diameter housing
Q	1/4"-28 UNF	Connection thread for lubrication

Additional information

GEH.CJT04-TV-WHT	Housing
GYE20-KRR-B-FA107-VA-FD	Bearing designation
KASK04-S-G-WHT	Protecting cap

Temperature range

T _{min}	-30 °C	Operating temperature min.
T _{max}	100 °C	Operating temperature max.