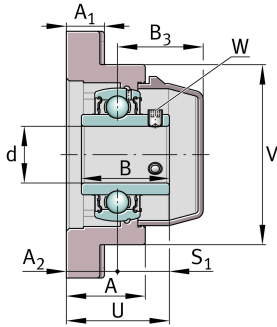
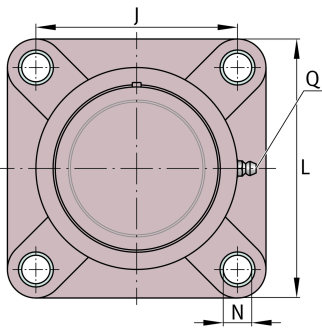


**RCJY35-TV-VA-FD** [↗](#)

Flanged housing unit

Flanged housing units, FD design

Technical information

**Your current product variant**

Special material	TV	Plastic housing
Material	TV-FD	Plastic for food industry
Corrosion resistant bearing	VA	Corrosion-resistant VA design

Main Dimensions & Performance Data

d	35 mm	Bore diameter
L	117 mm	Flange width
U	46,9 mm	Total height unit
C _r	22.000 N	Basic dynamic load rating, radial
C _{0r}	12.300 N	Basic static load rating, radial
C _{ur}	655 N	Fatigue load limit, radial
C _{0rG}	18.500 N	Load carrying capacity (housing)
≈m	0,73 kg	Weight

Mounting dimensions

J	92 mm	Distance fixing bore
N	13 mm	Fixing bore
W	3 mm	Width of flats



Dimensions

A	34,8 mm	Height housing
A ₁	15,5 mm	Thickness of flange
A ₂	21,5 mm	Distance raceway
B	42,9 mm	Width
B ₃	42,1 mm	Distance housing centre to cap end
S ₁	25,4 mm	Distance raceway to locking device
V	90 mm	Shoulder diameter housing
Q	1/4"-28 UNF	Connection thread for lubrication

Additional information

GEH.CJ07-TV-WHT	Housing
GYE35-KRR-B- FA107-VA-FD	Bearing designation
KASK07-S-G-WHT	Protecting cap

Temperature range

T _{min}	-30 °C	Operating temperature min.
T _{max}	100 °C	Operating temperature max.