



FAG

**32308-B-XL**

Tapered roller bearing

Tapered roller bearings 323, main dimensions acc. to DIN 720, separable

X-life

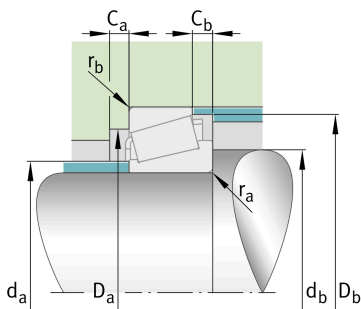
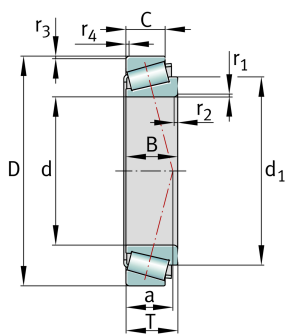
## Technical information

## Your current product variant

Tolerance class	PN	Normal (ISO 492:2014)
Heat treatment	Standard	
Cage	Standard	Sheet steel cage, window cage, roller-guided
Internal design	B	Increased contact angle
Quality level	XL	X-life
Number of rows	1	Single-row design

## Main Dimensions &amp; Performance Data

d	40 mm	Bore diameter
D	90 mm	Outside diameter
B	33 mm	Width, inner ring
C	27 mm	Width, outer ring
T	35,25 mm	Width, total
$C_r$	149.000 N	Basic dynamic load rating, radial
$C_{0r}$	149.000 N	Basic static load rating, radial
$C_{ur}$	24.200 N	Fatigue load limit, radial
$n_G$	9.700 1/min	Limiting speed
$n_{gr}$	5.600 1/min	Thermal speed rating
$m$	1,08 kg	Weight





### Mounting dimensions

$d_{a \max}$	50 mm	Maximum diameter of shaft shoulder
$d_{b \min}$	49 mm	Minimum diameter of shaft shoulder
$D_{a \min}$	69 mm	Minimum diameter of housing shoulder
$D_{a \max}$	81 mm	Maximum diameter of housing shoulder
$D_{b \min}$	85 mm	Minimum diameter of housing shoulder
$C_{a \min}$	4 mm	Minimum axial space
$C_{b \min}$	8 mm	Minimum axial space
$r_{a \max}$	2 mm	Maximum fillet radius of shaft
$r_{b \max}$	1,5 mm	Maximum fillet radius of housing

### Dimensions

$r_{1, 2 \min}$	2 mm	Minimum chamfer dimension of inner ring back face
$r_{3, 4 \min}$	1,5 mm	Minimum chamfer dimension of outer ring back face
$a$	28 mm	Distance between the apexes of the pressure cones
$d_1$	67,3 mm	Guidance rib diameter of inner ring

### Temperature range

$T_{\min}$	-30 °C	Operating temperature min.
$T_{\max}$	120 °C	Operating temperature max.

### Calculation factors

$e$	0,55	Limiting value of $F_a/F_r$ for the applicability of diff. Values of factors X and Y
$Y$	1,1	Dynamic axial load factor
$Y_0$	0,6	Static axial load factor

### Additional information




T5FD040

Comparative designation to ISO 10317 and ISO 355



### Characteristics

---

-  Radial load
-  Axial load in one direction
-  Grease Lubrication
-  Oil Lubrication
-  Not sealed