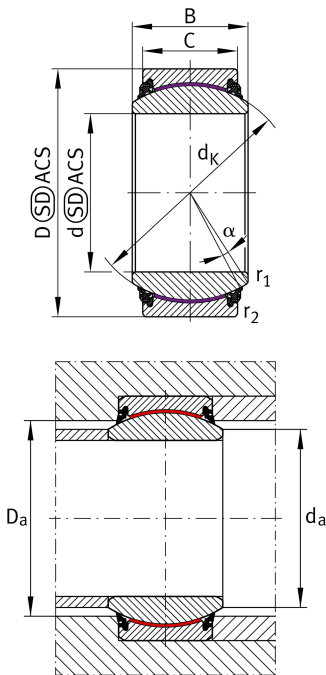


**GE25-UK-2TS**

Spherical plain bearing

Radial spherical plain bearing, maintenance-free, sliding layer: ELGOGLIDE, DIN ISO 12240-1, Tolerances of the outside diameter and bore not according to DIN ISO 12240-1, dimension series E, sealed

Technical information



Your current product variant

| | | |
|---------------------------|------------------|--|
| Maintenance | Maintenance free | |
| Sealing | 2TS | Integrated triple lip high performance seals on both sides |
| Radial internal clearance | CN (Group N) | Normal internal clearance |
| Bore lining | Without | |
| Coating | Without | |
| Fabric | ELGOGLIDE | |
| Material | Steel | |

Main Dimensions & Performance Data

| | | |
|-------------|-----------|-----------------------------------|
| d | 25 mm | Bore diameter bearing |
| C_r | 128.000 N | Basic dynamic load rating, radial |
| D | 42 mm | Outside diameter bearing |
| B | 20 mm | Width inner ring |
| C | 16 mm | Width Outer ring |
| C_{0r} | 213.000 N | Basic static load rating, radial |
| $\approx m$ | 0,111 kg | Weight |



Mounting dimensions

| | | |
|-------------------|---------|------------------------------------|
| $r_{1\text{min}}$ | 0,6 mm | Edge Spacing |
| $r_{2\text{min}}$ | 0,6 mm | Edge Spacing |
| D_{amin} | 33 mm | Housing Connection Diameter |
| d_{amax} | 29,3 mm | Connection measurement, inner ring |

Dimensions

| | | |
|-------------------|-----------|--|
| d_{κ} | 35,5 mm | Ball diameter |
| α | 7 ° | Tilt angle |
| D_{OT} | 0 mm | Outside diameter, upper tolerance |
| D_{UT} | -0,011 mm | Outside diameter, lower tolerance |
| B_{OT} | 0 mm | Width inner ring, upper tolerance |
| d_{UT} | -0,01 mm | Bore diameter bearing, lower tolerance |
| B_{UT} | -0,12 mm | Width inner ring, lower tolerance |
| d_{OT} | 0 mm | Bore diameter bearing, upper tolerance |
| C_{OT} | 0 mm | Width outer ring, upper tolerance |
| C_{UT} | -0,24 mm | Width outer ring, lower tolerance |
| G_{r} | 0 - 0,05 | Radial Clearance |
| G_{rmax} | 0,05 mm | Radial clearance, maximum |
| G_{rmin} | 0 mm | Radial clearance, minimum |

Temperature range

| | | |
|------------------|--------|----------------------------|
| T_{min} | -30 °C | Operating temperature min. |
| T_{max} | 100 °C | Operating temperature max. |



Characteristics



Radial load



Axial load in one direction



Axial load in two directions



Lifetime lubrication, freedom from maintenance



Sealed on both sides



Static angular error and misalignment



Dynamic angular error and misalignment