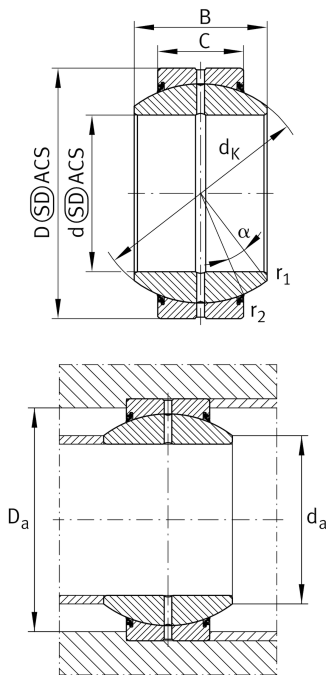
**GE80-FO-2RS-E**

Spherical plain bearing

Standard performance Radial spherical plain bearing, requiring maintenance, sliding contact surface: steel/steel, DIN ISO 12240-1, dimension series G, sealed

Technical information

**Your current product variant**

Maintenance	Maintenance required	
Material	Steel	
Sealing	2RS	Lip seals on both sides
Radial internal clearance	CN (Group N)	Normal internal clearance
Coating	Durotect M	Inner- and outer ring coated with Durotect M (Manganese Phosphate)

Main Dimensions & Performance Data

d	80 mm	Bore diameter bearing
D	130 mm	Outside diameter bearing
B	75 mm	Width inner ring
C _r	489.000 N	Basic dynamic load rating, radial
C _{0r}	2.440.000 N	Basic static load rating, radial
≈m	3,5 kg	Weight

Mounting dimensions

r _{1smin}	1 mm	Edge Spacing
r _{2smin}	1 mm	Edge Spacing
d _{a max}	87,1 mm	Connection measure Inner ring
D _{a min}	108 mm	Housing Connection Diameter



Dimensions

C	50 mm	Width Outer ring
d_K	115 mm	Ball diameter
α	14 °	Tilt angle
d_{OT}	0 mm	Bore diameter bearing, upper tolerance
d_{UT}	-0,015 mm	Bore diameter bearing, lower tolerance
D_{OT}	0 mm	Outside diameter, upper tolerance
D_{UT}	-0,018 mm	Outside diameter, lower tolerance
B_{OT}	0 mm	Width inner ring, upper tolerance
B_{UT}	-0,2 mm	Width inner ring, lower tolerance
C_{OT}	0 mm	Width outer ring, upper tolerance
C_{UT}	-0,5 mm	Width outer ring, lower tolerance
G_r	0,072 - 0,142	Radial Clearance
G_{rmax}	0,142 mm	Radial clearance, maximum
G_{rmin}	0,072 mm	Radial clearance, minimum

Temperature range

T_{min}	-30 °C	Operating temperature min.
T_{max}	130 °C	Operating temperature max.

Characteristics

	Radial load
	Axial load in one direction
	Axial load in two directions
	Grease Lubrication
	Sealed on both sides
	Static angular error and misalignment
	Dynamic angular error and misalignment