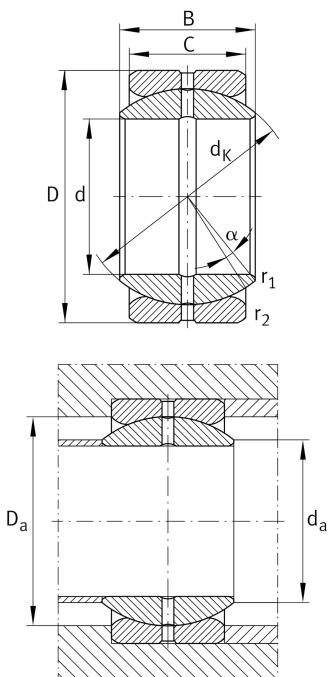


**GE38-ZO-2RS-E**

Spherical plain bearing

Spherical plain bearing

## Technical information

**Your current product variant**

Maintenance	Maintenance required
Material	Steel
Sealing	2RS Lip seals on both sides
Radial internal clearance	CN (Group N) Normal internal clearance
Coating	Durotect M Inner- and outer ring coated with Durotect M (Manganese Phosphate)

**Main Dimensions & Performance Data**

d	38,1 mm	Bore diameter bearing
D	61,913 mm	Outside diameter bearing
B	33,325 mm	Width inner ring
C <sub>r</sub>	125.000 N	Basic dynamic load rating, radial
C <sub>0r</sub>	625.000 N	Basic static load rating, radial
≈m	0,4 kg	Weight

**Mounting dimensions**

r <sub>1smin</sub>	0,6 mm	Edge Spacing
r <sub>2smin</sub>	0,6 mm	Edge Spacing
d <sub>a max</sub>	41,2 mm	Connection measure Inner ring
D <sub>a min</sub>	46,5 mm	Housing Connection Diameter



## Dimensions

C	28,575 mm	Width Outer ring
d <sub>K</sub>	54,7 mm	Ball diameter
α	6 °	Tilt angle
d <sub>OT</sub>	0 mm	Bore diameter bearing, upper tolerance
d <sub>UT</sub>	-0,012 mm	Bore diameter bearing, lower tolerance
d <sub>T</sub>	0,012	Bore diameter bearing, tolerance
D <sub>OT</sub>	0 mm	Outside diameter, upper tolerance
D <sub>UT</sub>	-0,013 mm	Outside diameter, lower tolerance
B <sub>OT</sub>	0 mm	Width inner ring, upper tolerance
B <sub>UT</sub>	0 mm	Width inner ring, lower tolerance
C <sub>OT</sub>	0 mm	Width outer ring, upper tolerance
C <sub>UT</sub>	-0,3 mm	Width outer ring, lower tolerance
G <sub>r</sub>	0,1	Radial Clearance
G <sub>rmax</sub>	0,18 mm	Radial clearance, maximum
G <sub>rmin</sub>	0,08 mm	Radial clearance, minimum

## Temperature range

T <sub>min</sub>	-30 °C	Operating temperature min.
T <sub>max</sub>	130 °C	Operating temperature max.



### Characteristics

---



Radial load



Axial load in one direction



Axial load in two directions



Grease Lubrication



Sealed on both sides



Static angular error and misalignment



Dynamic angular error and misalignment