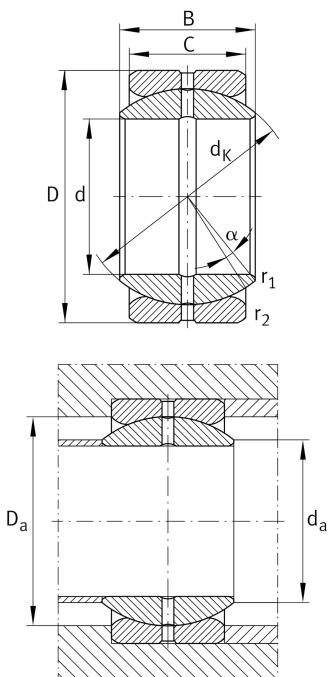


**GE50-ZO-2RS-E**

Spherical plain bearing

Spherical plain bearing

Technical information



Your current product variant

| | |
|---------------------------|---|
| Maintenance | Maintenance required |
| Material | Steel |
| Sealing | 2RS Lip seals on both sides |
| Radial internal clearance | CN (Group N) Normal internal clearance |
| Coating | Durotect M Inner- and outer ring coated with Durotect M (Manganese Phosphate) |

Main Dimensions & Performance Data

| | | |
|-----------------|-------------|-----------------------------------|
| d | 50,8 mm | Bore diameter bearing |
| D | 80,963 mm | Outside diameter bearing |
| B | 44,45 mm | Width inner ring |
| C _r | 223.000 N | Basic dynamic load rating, radial |
| C _{0r} | 1.110.000 N | Basic static load rating, radial |
| ≈m | 0,92 kg | Weight |

Mounting dimensions

| | | |
|--------------------|---------|-------------------------------|
| r _{1smin} | 0,6 mm | Edge Spacing |
| r _{2smin} | 0,6 mm | Edge Spacing |
| d _{a max} | 57,9 mm | Connection measure Inner ring |
| D _{a min} | 65 mm | Housing Connection Diameter |



Dimensions

| | | |
|-------------------|-----------|--|
| C | 38,1 mm | Width Outer ring |
| d _K | 73 mm | Ball diameter |
| α | 6 ° | Tilt angle |
| d _{OT} | 0 mm | Bore diameter bearing, upper tolerance |
| d _{UT} | -0,015 mm | Bore diameter bearing, lower tolerance |
| d _T | 0.015 | Bore diameter bearing, tolerance |
| D _{OT} | 0 mm | Outside diameter, upper tolerance |
| D _{UT} | -0,015 mm | Outside diameter, lower tolerance |
| B _{OT} | 0 mm | Width inner ring, upper tolerance |
| B _{UT} | 0 mm | Width inner ring, lower tolerance |
| C _{OT} | 0 mm | Width outer ring, upper tolerance |
| C _{UT} | -0,4 mm | Width outer ring, lower tolerance |
| G _r | 0.1 | Radial Clearance |
| G _{rmax} | 0,18 mm | Radial clearance, maximum |
| G _{rmin} | 0,08 mm | Radial clearance, minimum |

Temperature range

| | | |
|------------------|--------|----------------------------|
| T _{min} | -30 °C | Operating temperature min. |
| T _{max} | 130 °C | Operating temperature max. |



Characteristics



Radial load



Axial load in one direction



Axial load in two directions



Grease Lubrication



Sealed on both sides



Static angular error and misalignment



Dynamic angular error and misalignment