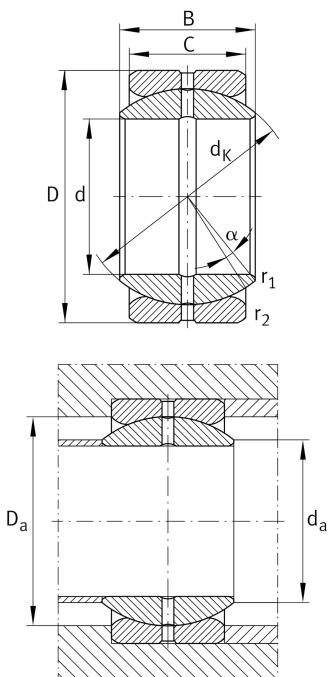


**GE69-ZO-2RS-E**

## Spherical plain bearing

Radial spherical plain bearing, requiring maintenance, sliding contact surface: steel/ste., inch size, sealed design

## Technical information



## Your current product variant

Maintenance	Maintenance required	
Material	Steel	
Sealing	2RS	Lip seals on both sides
Radial internal clearance	CN (Group N)	Normal internal clearance
Coating	Durotect M	Inner- and outer ring coated with Durotect M (Manganese Phosphate)

## Main Dimensions &amp; Performance Data

d	69,85 mm	Bore diameter bearing
D	111,125 mm	Outside diameter bearing
B	61,112 mm	Width inner ring
C <sub>r</sub>	419.000 N	Basic dynamic load rating, radial
C <sub>0r</sub>	2.100.000 N	Basic static load rating, radial
≈m	2,3 kg	Weight

## Mounting dimensions

r <sub>1smin</sub>	1 mm	Edge Spacing
r <sub>2smin</sub>	1 mm	Edge Spacing
d <sub>a max</sub>	79,2 mm	Connection measure Inner ring
D <sub>a min</sub>	89 mm	Housing Connection Diameter



## Dimensions

C	52,375 mm	Width Outer ring
d <sub>K</sub>	100 mm	Ball diameter
α	6 °	Tilt angle
d <sub>OT</sub>	0 mm	Bore diameter bearing, upper tolerance
d <sub>UT</sub>	-0,015 mm	Bore diameter bearing, lower tolerance
d <sub>T</sub>	0,015	Bore diameter bearing, tolerance
D <sub>OT</sub>	0 mm	Outside diameter, upper tolerance
D <sub>UT</sub>	-0,015 mm	Outside diameter, lower tolerance
B <sub>OT</sub>	0 mm	Width inner ring, upper tolerance
B <sub>UT</sub>	-0,15 mm	Width inner ring, lower tolerance
C <sub>OT</sub>	0 mm	Width outer ring, upper tolerance
C <sub>UT</sub>	-0,4 mm	Width outer ring, lower tolerance
G <sub>r</sub>	0,1-0,2	Radial Clearance
G <sub>rmax</sub>	0,18 mm	Radial clearance, maximum
G <sub>rmin</sub>	0,08 mm	Radial clearance, minimum

## Temperature range

T <sub>min</sub>	-30 °C	Operating temperature min.
T <sub>max</sub>	130 °C	Operating temperature max.



## Characteristics

---



Radial load



Axial load in one direction



Axial load in two directions



Grease Lubrication



Sealed on both sides



Static angular error and misalignment



Dynamic angular error and misalignment