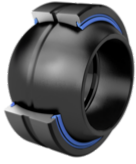


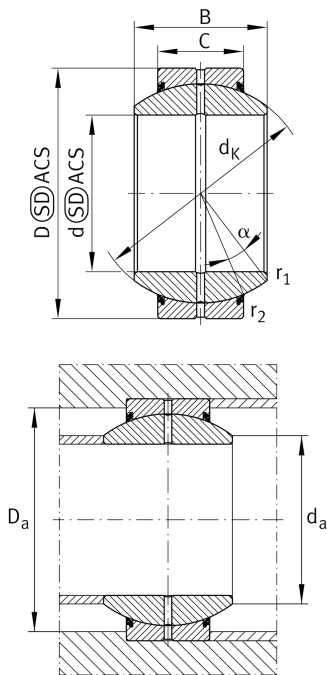
**GE15-FO-2RS-E**

## Spherical plain bearing



Standard performance Radial spherical plain bearing, requiring maintenance, sliding contact surface: steel/steel, DIN ISO 12240-1, dimension series G, sealed

## Technical information



## Your current product variant

|                           |                      |  |
|---------------------------|----------------------|--|
| Maintenance               | Maintenance required |  |
| Material                  | Steel                |  |
| Type of Seal              | 2RS                  | Lip seals on both sides  |
| Radial internal clearance | CN (Group N)         | Normal internal clearance  |
| Coating                   | Durotect M           | Inner- and outer ring coated with Durotect M (Manganese Phosphate) |

## Main Dimensions &amp; Performance Data

|                 |           |                                   |
|-----------------|-----------|-----------------------------------|
| d               | 15 mm     | Bore diameter bearing             |
| D               | 30 mm     | Outside diameter bearing          |
| B               | 16 mm     | Width inner ring                  |
| C <sub>r</sub>  | 21.300 N  | Basic dynamic load rating, radial |
| C <sub>0r</sub> | 106.000 N | Basic static load rating, radial  |
| ≈m              | 0,046 kg  | Weight                            |

## Mounting dimensions

|                    |         |                               |
|--------------------|---------|-------------------------------|
| r <sub>1smin</sub> | 0,3 mm  | Edge Spacing                  |
| r <sub>2smin</sub> | 0,3 mm  | Edge Spacing                  |
| d <sub>a max</sub> | 19,2 mm | Connection measure Inner ring |
| D <sub>a min</sub> | 24 mm   | Housing Connection Diameter   |



### Dimensions

|                   |              |  |
|-------------------|--------------|--|
| C                 | 10 mm        | Width Outer ring                       |
| d <sub>K</sub>    | 25 mm        | Ball diameter                          |
| α                 | 16 °         | Tilt angle                             |
| d <sub>OT</sub>   | 0 mm         | Bore diameter bearing, upper tolerance |
| d <sub>UT</sub>   | -0,008 mm    | Bore diameter bearing, lower tolerance |
| d <sub>T</sub>    | 0.008        | Bore diameter bearing, tolerance       |
| D <sub>OT</sub>   | 0 mm         | Outside diameter, upper tolerance      |
| D <sub>UT</sub>   | -0,009 mm    | Outside diameter, lower tolerance      |
| B <sub>OT</sub>   | 0 mm         | Width inner ring, upper tolerance      |
| B <sub>UT</sub>   | -0,12 mm     | Width inner ring, lower tolerance      |
| C <sub>OT</sub>   | 0 mm         | Width outer ring, upper tolerance      |
| C <sub>UT</sub>   | -0,24 mm     | Width outer ring, lower tolerance      |
| G <sub>r</sub>    | 0,04 - 0,082 | Radial Clearance                       |
| G <sub>rmax</sub> | 0,082 mm     | Radial clearance, maximum              |
| G <sub>rmin</sub> | 0,04 mm      | Radial clearance, minimum              |

### Temperature range

|                  |        |                            |
|------------------|--------|----------------------------|
| T <sub>min</sub> | -30 °C | Operating temperature min. |
| T <sub>max</sub> | 130 °C | Operating temperature max. |



## Characteristics

---



Radial load



Axial load in one direction



Axial load in two directions



Grease Lubrication



Sealed on both sides



Static angular error and misalignment



Dynamic angular error and misalignment