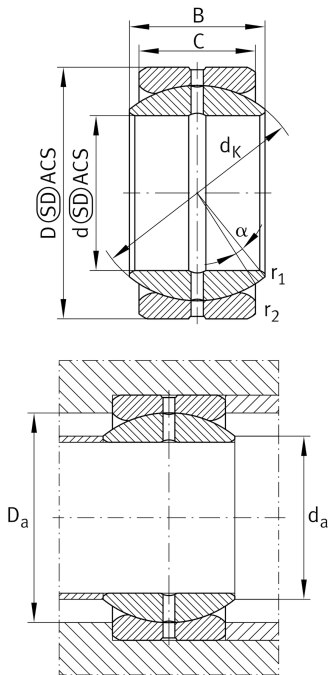


**GE127-ZO-E**

Spherical plain bearing

Radial spherical plain bearing, requiring maintenance, sliding contact surface: steel/steel, inch size, open design

Technical information



Your current product variant

Maintenance	Maintenance required
Material	Steel
Sealing	Without
Radial internal clearance	CN (Group N) Normal internal clearance
Coating	Durotect M Inner- and outer ring coated with Durotect M (Manganese Phosphate)

Main Dimensions & Performance Data

d	127 mm	Bore diameter bearing
D	196,85 mm	Outside diameter bearing
B	111,125 mm	Width inner ring
C _r	1.390.000 N	Basic dynamic load rating, radial
C _{0r}	6.970.000 N	Basic static load rating, radial
≈m	13,5 kg	Weight

Mounting dimensions

r _{1smin}	1 mm	Edge Spacing
r _{2smin}	1 mm	Edge Spacing
d _{a max}	145,3 mm	Connection measure Inner ring
D _{a min}	163 mm	Housing Connection Diameter



Dimensions

C	95,25 mm	Width Outer ring
d _K	183 mm	Ball diameter
α	6 °	Tilt angle
d _{OT}	0 mm	Bore diameter bearing, upper tolerance
d _{UT}	-0,025 mm	Bore diameter bearing, lower tolerance
d _T	0,025	Bore diameter bearing, tolerance
D _{OT}	0 mm	Outside diameter, upper tolerance
D _{UT}	-0,03 mm	Outside diameter, lower tolerance
B _{OT}	0 mm	Width inner ring, upper tolerance
B _{UT}	-0,25 mm	Width inner ring, lower tolerance
C _{OT}	0 mm	Width outer ring, upper tolerance
C _{UT}	-0,6 mm	Width outer ring, lower tolerance
G _r	0,13-0,23	Radial Clearance
G _{rmax}	0,23 mm	Radial clearance, maximum
G _{rmin}	0,13 mm	Radial clearance, minimum

Temperature range

T _{min}	-60 °C	Operating temperature min.
T _{max}	200 °C	Operating temperature max.



Characteristics



Radial load



Axial load in one direction



Axial load in two directions



Grease Lubrication



Not sealed



Static angular error and misalignment



Dynamic angular error and misalignment