

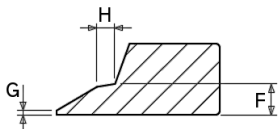
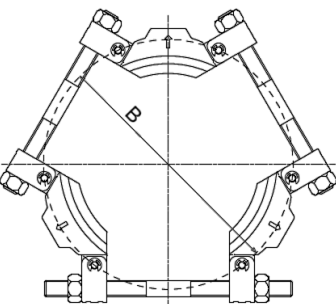
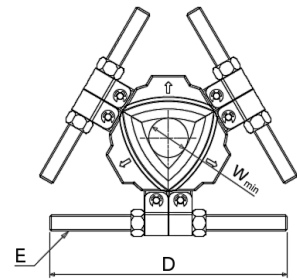
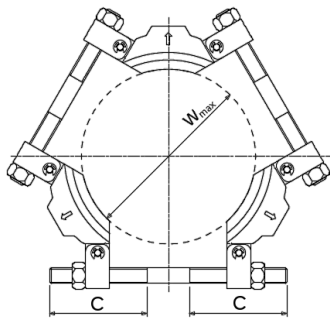


TRI-SECTION-PLATE-210 [↗](#)

Tri-section extraction plate, Removal tool, mechanical

BETEX Tri-Section-Plate for removing complete bearings or tight fitted inner rings; with good radial and axial access, it offers the possibility of grabbing the inner ring so that the pulling force is not transmitted via moving parts and damage to the bearing is avoided

Technical information



Your current product variant

Series	TSP	Series TSP
--------	-----	------------

Dimensions

W min	50 mm	Grip width, min.
W max	210 mm	Grip width, max.
B max	280 mm	
C	117 mm	
D	285 mm	
E	7/8"-14UNF	
F	10 mm	
G	2 mm	
H	9 mm	
F _{Z max}	75 kN	Max. permissible pulling force
≈m	5,5 kg	Weight

Additional information

in combination with
puller: HP/HSP63,
83

Usability



View product details on medias

12.06.2026, 19:27:49 UTC

SCHAEFFLER

