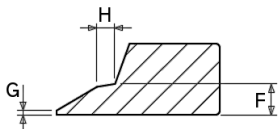
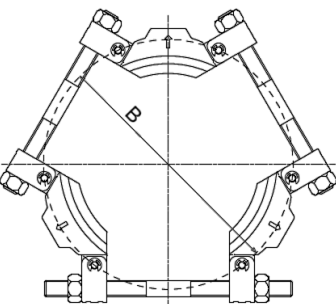
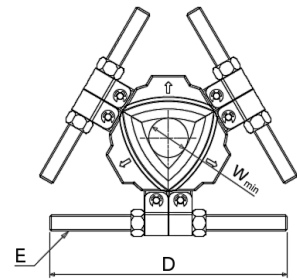
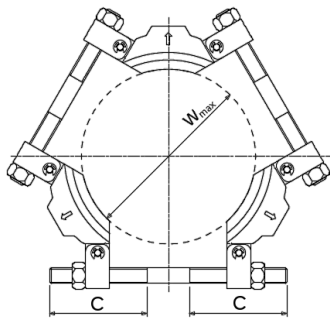


**TRI-SECTION-PLATE-340**

Tri-section extraction plate, Removal tool, mechanical

BETEX Tri-Section-Plate for removing complete bearings or tight fitted inner rings; with good radial and axial access, it offers the possibility of grabbing the inner ring so that the pulling force is not transmitted via moving parts and damage to the bearing is avoided

Technical information

**Your current product variant**

Series	TSP	Series TSP
--------	-----	------------

Dimensions

W _{min}	90 mm	Grip width, min.
W _{max}	340 mm	Grip width, max.
B _{max}	460 mm	
C	175 mm	
D	430 mm	
E	1 1/2"-12UNF	
F	14 mm	
G	2 mm	
H	8 mm	
F _{Z max}	190 kN	Max. permissible pulling force
≈m	18 kg	Weight

Additional information

in combination with
puller: HP/HSP/HXP
83, 123, 203, HPP
123

Usability



View product details on medias

15.06.2026, 17:26:10 UTC

SCHAEFFLER

