

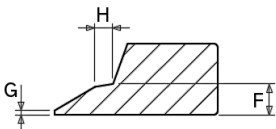
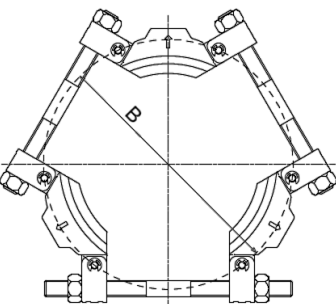
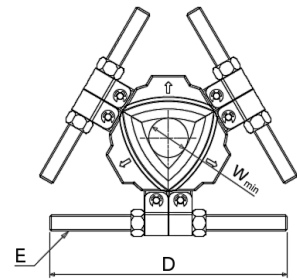
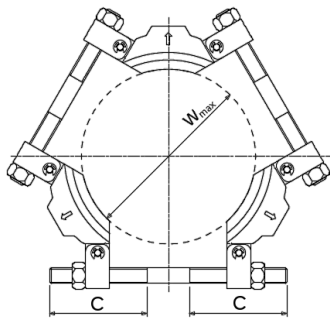


## TRI-SECTION-PLATE-495 [↗](#)

Tri-section extraction plate, Removal tool, mechanical

BETEX Tri-Section-Plate for removing complete bearings or tight fitted inner rings; with good radial and axial access, it offers the possibility of grabbing the inner ring so that the pulling force is not transmitted via moving parts and damage to the bearing is avoided

### Technical information



### Your current product variant

Series	TSP	Series TSP
--------	-----	------------

### Dimensions

W min	140 mm	Grip width, min.
W max	495 mm	Grip width, max.
B max	660 mm	
C	235 mm	
D	610 mm	
E	1 1/4"-12UNF	
F	20 mm	
G	2 mm	
H	12 mm	
F <sub>Z max</sub>	290 kN	Max. permissible pulling force
≈m	45 kg	Weight

### Additional information

in combination with puller: HP/HSP/HXP 203, 303

Usability



View product details on medias

15.06.2026, 09:35:03 UTC

**SCHAEFFLER**

