

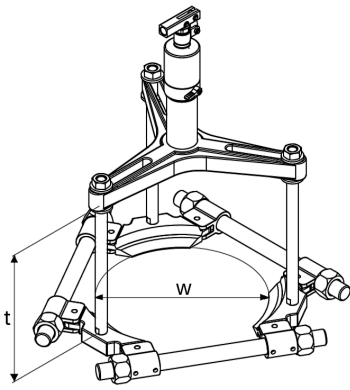


## TRI-SECTION-SET-6T [↗](#)

### Tri-Section Puller

BETEX Hydraulic puller including tri-section plate for safe, easy dismantling of rolling bearings and other rotative components

## Technical information



### Technical data

$w_{\min}$	50 mm	Grip, width, min.
$w_{\max}$	210 mm	Grip width, max.
$t_{\max}$	243 mm	Grip depth, max.
$F_p$	55 kN	Pulling force
$\approx m$	30 kg	Weight

### Additional information

Integrated pump-cylinder unit,  
360° adjustable handle,  
tri-section plate,  
crossbar,  
connection rods,  
steel storage case

Scope of delivery