

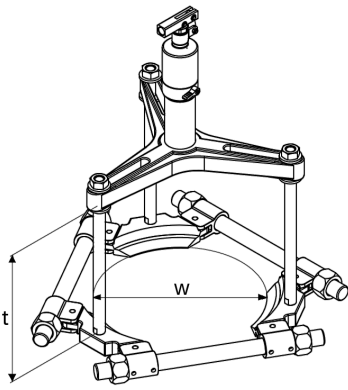


TRI-SECTION-SET-12T [↗](#)

Tri-Section Puller

BETEX Hydraulic puller including tri-section plate for safe, easy dismantling of rolling bearings and other rotative components

Technical information



Technical data

w_{min}	90 mm	Grip, width, min.
w_{max}	340 mm	Grip width, max.
t_{max}	284 mm	Grip depth, max.
F_p	110 kN	Pulling force
$\approx m$	68 kg	Weight

Additional information

Integrated pump-cylinder unit,
360° adjustable handle,
tri-section plate,
crossbar,
connection rods,
steel storage case

Scope of delivery