

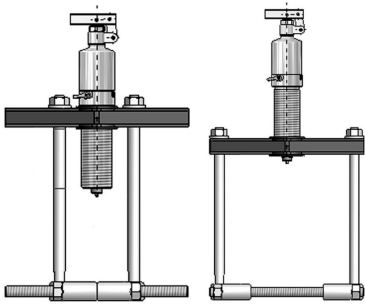
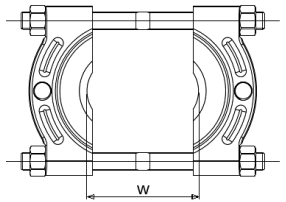
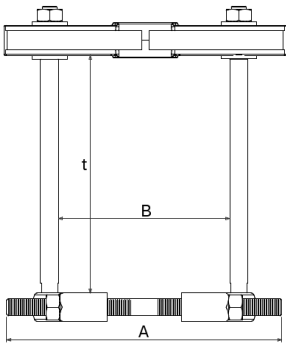


## ACC-SET-HP63-HSP63 [↗](#)

### Bearing splitter set

BETEX Puller for gentle dismounting of complete bearings, bearing inner rings and other components so that the pulling force is not transmitted via moving parts. The part to be dismounted must be well accessible radial and axial.

## Technical information



### Technical data

$w_{\min}$	28 mm	Grip width, min.
$w_{\max}$	150 mm	Grip width, max.
$t_{\max}$	255 mm	Grip depth, max.
A	260 mm	
$B_{\min}$	110 mm	
$B_{\max}$	220 mm	
$F_Z_{\max}$	55 kN	Max. permissible pulling force
$\approx m$	11,5 kg	Weight

### Additional information

with the pump/ cylinder unit of an HP/HSP puller	Usability
1 puller bridge, 2 connection rods, 1 set puller plates, carrying case	Scope of delivery