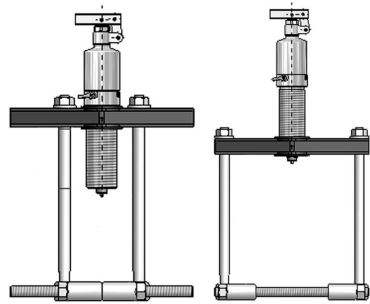
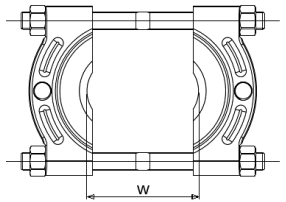
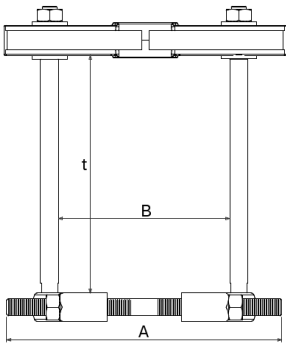


**ACC-SET-HP43-HSP43** [↗](#)

Bearing splitter set

BETEX Puller for gentle dismounting of complete bearings, bearing inner rings and other components so that the pulling force is not transmitted via moving parts. The part to be dismounted must be well accessible radial and axial.

Technical information

**Technical data**

W min	12 mm	Grip width, min.
W max	70 mm	Grip width, max.
t max	224 mm	Grip depth, max.
A	163 mm	
B min	100 mm	
B max	145 mm	
F Z max	35 kN	Max. permissible pulling force
≈m	7,5 kg	Weight

Additional information

with the pump/ cylinder unit of an HP/HSP puller	Usability
1 puller bridge, 2 connection rods, 1 set puller plates, carrying case	Scope of delivery

