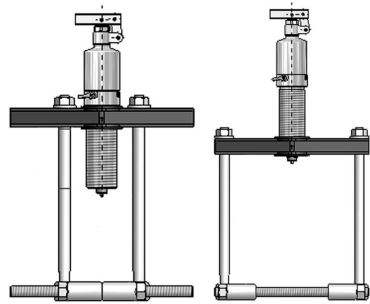
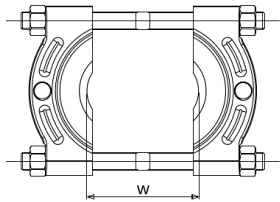
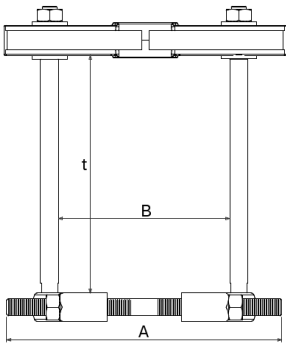


**ACC-SET-HP83-HSP83-HXP83** [↗](#)**Bearing splitter set**

BETEX Puller for gentle dismounting of complete bearings, bearing inner rings and other components so that the pulling force is not transmitted via moving parts. The part to be dismounted must be well accessible radial and axial.

## Technical information

**Technical data**

W min	28 mm	Grip width, min.
W max	150 mm	Grip width, max.
t max	255 mm	Grip depth, max.
A	260 mm	
B min	115 mm	
B max	230 mm	
F Z max	75 kN	Max. permissible pulling force
≈m	12 kg	Weight

**Additional information**

with the pump/ cylinder unit of an HP/HSP/HXP puller	Usability
1 puller bridge, 2 connection rods, 1 set puller plates, carrying case	Scope of delivery

