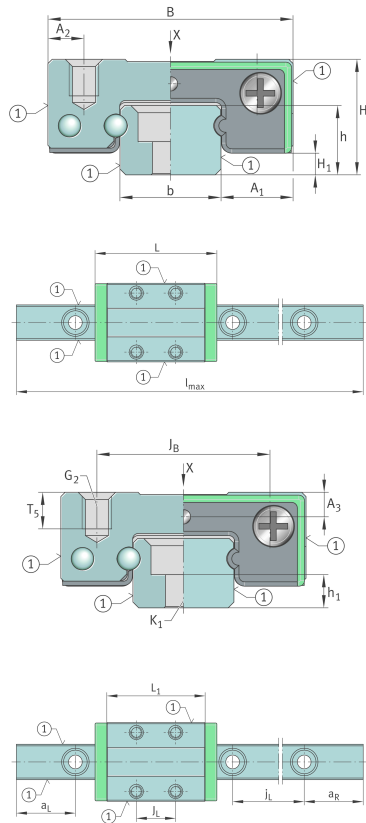


**TKDM09X2000-E-EWL-G2** [↗](#)

Miniature Guideway for Miniature-Carriage, Standard design

Miniature Guideway; for Miniature-Carriage,
Standard and Long design

Technical information

**Your current product variant**

Size code	09
Length	~2000
Version	E
Accuracy class	G2

Main Dimensions & Performance Data

h	6,5 mm	Height
b	9 mm	Width rail
l_{max}	2.000 mm	Max length single piece guideway
$\approx m$	0,78 kg	Weight

Mounting dimensions

h_1	3 mm	Length
j_L	20 mm	Increment
$a_{L min}$	5 mm	Distance between start of guideway and nearest hole
$a_{L max}$	15 mm	Distance between start of guideway and nearest hole
$a_{R min}$	5 mm	Distance between end of guideway and nearest hole
$a_{R max}$	15 mm	Distance between end of guideway and nearest hole
K_1	M3	Thread
$K1 M_A$	1,1 Nm	Tightening torque

Additional information

VMKB_064	TKDM	Material name
----------	------	---------------