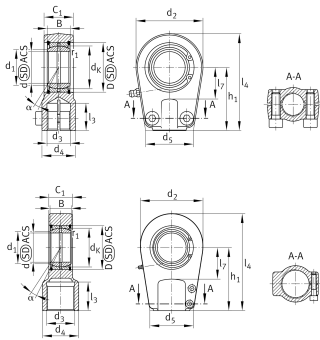


IMAGE
COMING SOON**GIHRK50-UK-2RS**

Rod end

Hydraulic rod end, with thread clamping device, right hand thread, maintenance-free, sliding layer: ELGOGLIDE, sealed design

Technical information



Your current product variant

Clampable	Clampable	
Maintenance	Maintenance free	
Mounting	Internal thread	
Lubrication nipple	Cannot be relubricated	
Slotted	Slotted, both sides	
Thread Pitch	Right-hand thread	
Sealing	2RS	Lip seals on both sides

Main Dimensions & Performance Data

C_r	444.000 N	Basic dynamic load rating, radial
C_{0r}	333.000 N	Basic static load rating, radial
d	50 mm	Bore diameter bearing
D	75 mm	Outside diameter bearing
l_4	168 mm	Total length internal thread head
B	35 mm	Width inner ring,
d_2	116 mm	Outer eye diameter
$\approx m$	3,8 kg	Weight



Dimensions

d _K	66 mm	Ball diameter
d ₃	M45x1,5	Thread size
d ₄	61 mm	Shank diameter
h ₁	105 mm	Shank Length Internal thread head
C ₁	40 mm	Width of the rod end
α	6 °	Tilt angle
l ₃	46 mm	Thread length Internal thread
l ₇	55 mm	Distance drilling with/shaft start
d ₅	90 mm	Shank diameter, large
G _r	0 - 0,06 mm	Radial Clearance
M _A	110 Nm	Tightening torque
d _{OT}	0 mm	Bore diameter bearing, upper tolerance
d _{UT}	-0,012 mm	Bore diameter bearing, lower tolerance
B _{OT}	0 mm	Width inner ring, upper tolerance
B _{UT}	-0,12 mm	Width inner ring, lower tolerance
G _{rmax}	0,06 mm	Radial clearance, maximum
G _{rmin}	0 mm	Radial clearance, minimum

Temperature range

T _{min}	-30 °C	Operating temperature min.
T _{max}	130 °C	Operating temperature max.

Mounting dimensions

d ₁	56 mm	Outer flange diameter inner ring
r _{1smin}	0,6 mm	Edge Spacing



Characteristics



Radial load



Axial load in one direction



Axial load in two directions



Lifetime lubrication, freedom from maintenance



Sealed on both sides



Static angular error and misalignment



Dynamic angular error and misalignment