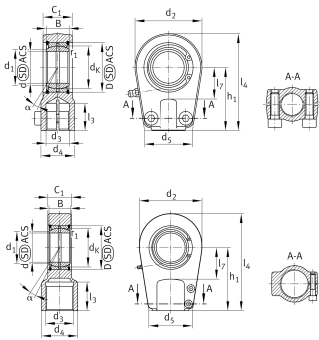


IMAGE
COMING SOON**GIHRK40-UK-2RS**

Rod end

Hydraulic rod end, with thread clamping device, right hand thread, maintenance-free, sliding layer: ELGOGLIDE, sealed design

Technical information



Your current product variant

Clampable	Clampable	
Maintenance	Maintenance free	
Mounting	Internal thread	
Lubrication nipple	Cannot be relubricated	
Slotted	Slotted, both sides	
Thread Pitch	Right-hand thread	
Sealing	2RS	Lip seals on both sides

Main Dimensions & Performance Data

C_r	280.000 N	Basic dynamic load rating, radial
C_{0r}	228.000 N	Basic static load rating, radial
d	40 mm	Bore diameter bearing
D	62 mm	Outside diameter bearing
l_4	135 mm	Total length internal thread head
B	28 mm	Width inner ring,
d_2	94 mm	Outer eye diameter
$\approx m$	2,1 kg	Weight



Dimensions

d_K	53 mm	Ball diameter
d_3	M35x1,5	Thread size
d_4	49 mm	Shank diameter
h_1	85 mm	Shank Length Internal thread head
C_1	35 mm	Width of the rod end
α	7 °	Tilt angle
l_3	36 mm	Thread length Internal thread
l_7	45 mm	Distance drilling with/shaft start
d_5	76 mm	Shank diameter, large
G_r	0 - 0,06 mm	Radial Clearance
M_A	64 Nm	Tightening torque
d_{OT}	0 mm	Bore diameter bearing, upper tolerance
d_{UT}	-0,012 mm	Bore diameter bearing, lower tolerance
B_{OT}	0 mm	Width inner ring, upper tolerance
B_{UT}	-0,12 mm	Width inner ring, lower tolerance
G_{rmax}	0,06 mm	Radial clearance, maximum
G_{rmin}	0 mm	Radial clearance, minimum

Temperature range

T_{min}	-30 °C	Operating temperature min.
T_{max}	130 °C	Operating temperature max.

Mounting dimensions

d_1	45 mm	Outer flange diameter inner ring
r_{1smin}	0,6 mm	Edge Spacing



Characteristics



Radial load



Axial load in one direction



Axial load in two directions



Lifetime lubrication, freedom from maintenance



Sealed on both sides



Static angular error and misalignment



Dynamic angular error and misalignment