



View product details on medias

30.04.2026, 12:40:27 UTC

SCHAEFFLER

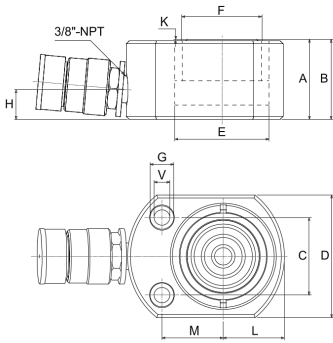


NSLS-50 [↗](#)

Hydraulic cylinder, 700 bar

BETEX NSLS Flat cylinder, single-acting,
spring return, 5T class

Technical information

**Your current product variant**

Series	NSLS	Flat cylinder
	5T	Capacity class 5

Technical data

	5	Capacity class (tons)
s_p	6 mm	Stroke
F_a	52,8 kN	Advance force, max.
P_{max}	700 bar	Operating pressure, max.
V_{oil}	4,5 cm ³	Oil capacity
A	33 mm	Height, retracted
B	39 mm	Height, extended
C	28,5 mm	Distance fixing holes
D	44 mm	Outer diameter
E	31 mm	Cylinder bore diameter
F	25,4 mm	Plunger diameter
H	16 mm	Base to advance port
K	1 mm	Saddle protrusion from plunger
L	22 mm	
M	22 mm	
V	5,3 mm	[Ø]
G	9,5 mm	[Ø]
$\approx m$	0,7 kg	Weight

Additional information

Hard chrome plated and hardened piston, Rolled inside of cylinder, Sandblasted outside with black nitride coating, Coupling with dust cap	Product specifics
--	-------------------