



View product details on medias

01.05.2026, 18:38:45 UTC

SCHAEFFLER

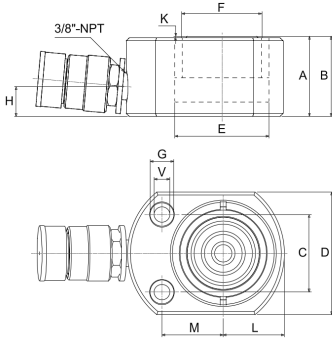


NSLS-100 [↗](#)

Hydraulic cylinder, 700 bar

BETEX NSLS Flat cylinder, single-acting,
spring return, 10T class

Technical information

**Your current product variant**

Series	NSLS	Flat cylinder
	10T	Capacity class 10

Technical data

	10	Capacity class (tons)
s_p	12 mm	Stroke
F_a	106 kN	Advance force, max.
P_{max}	700 bar	Operating pressure, max.
V_{oil}	18 cm ³	Oil capacity
A	42 mm	Height, retracted
B	54 mm	Height, extended
C	36,5 mm	Distance fixing holes
D	60 mm	Outer diameter
E	44 mm	Cylinder bore diameter
F	38 mm	Plunger diameter
H	19 mm	Base to advance port
K	1 mm	Saddle protrusion from plunger
L	30 mm	
M	34 mm	
V	7,5 mm	[Ø]
G	11 mm	[Ø]
$\approx m$	1,5 kg	Weight

Additional information

Hard chrome plated and hardened piston, Rolled inside of cylinder, Sandblasted outside with black nitride coating, Coupling with dust cap	Product specifics
--	-------------------