



View product details on medias

04.05.2026, 19:10:09 UTC

SCHAEFFLER

### **NSLS-200** [↗](#)

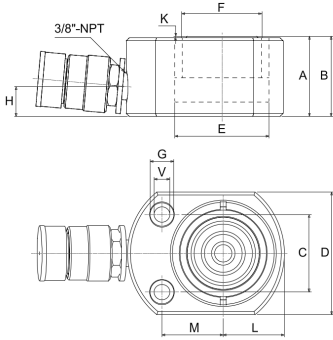
Hydraulic cylinder, 700 bar

BETEX NSLS Flat cylinder, single-acting,  
spring return, 20T class



Technical information

---

**Your current product variant**

|        |      |                   |
|--------|------|-------------------|
| Series | NSLS | Flat cylinder     |
|        | 20T  | Capacity class 20 |

**Technical data**

|             |                    |                                |
|-------------|--------------------|--------------------------------|
|             | 20                 | Capacity class (tons)          |
| $s_p$       | 12 mm              | Stroke                         |
| $F_a$       | 198 kN             | Advance force, max.            |
| $P_{max}$   | 700 bar            | Operating pressure, max.       |
| $V_{oil}$   | 34 cm <sup>3</sup> | Oil capacity                   |
| A           | 51 mm              | Height, retracted              |
| B           | 63 mm              | Height, extended               |
| C           | 49,3 mm            | Distance fixing holes          |
| D           | 78 mm              | Outer diameter                 |
| E           | 60 mm              | Cylinder bore diameter         |
| F           | 50,8 mm            | Plunger diameter               |
| H           | 19 mm              | Base to advance port           |
| K           | 1 mm               | Saddle protrusion from plunger |
| L           | 39 mm              |                                |
| M           | 39 mm              |                                |
| V           | 10 mm              | [Ø]                            |
| G           | 15 mm              | [Ø]                            |
| $\approx m$ | 2,6 kg             | Weight                         |

**Additional information**

|  |                   |
|--|-------------------|
| Hard chrome plated and hardened piston,<br>Rolled inside of cylinder,<br>Sandblasted outside with black nitride coating,<br>Coupling with dust cap | Product specifics |
|--|-------------------|