



View product details on medias

03.07.2026, 00:15:19 UTC

SCHAEFFLER

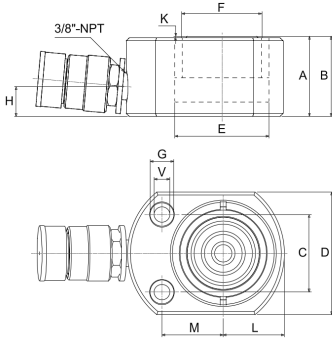


NSLS-300 [↗](#)

Hydraulic cylinder, 700 bar

BETEX NSLS Flat cylinder, single-acting,
spring return, 30T class

Technical information

**Your current product variant**

Series	NSLS	Flat cylinder
	30T	Capacity class 30

Technical data

	30	Capacity class (tons)
s_p	13 mm	Stroke
F_a	293 kN	Advance force, max.
P_{max}	700 bar	Operating pressure, max.
V_{oil}	54 cm ³	Oil capacity
A	58 mm	Height, retracted
B	71 mm	Height, extended
C	52,3 mm	Distance fixing holes
D	95 mm	Outer diameter
E	73 mm	Cylinder bore diameter
F	63,5 mm	Plunger diameter
H	19 mm	Base to advance port
K	2 mm	Saddle protrusion from plunger
L	47,5 mm	
M	47,5 mm	
V	10 mm	[Ø]
G	16 mm	[Ø]
$\approx m$	4,2 kg	Weight

Additional information

Hard chrome plated and hardened piston, Rolled inside of cylinder, Sandblasted outside with black nitride coating, Coupling with dust cap	Product specifics
--	-------------------