



View product details on medias

14.06.2026, 15:39:53 UTC

SCHAEFFLER

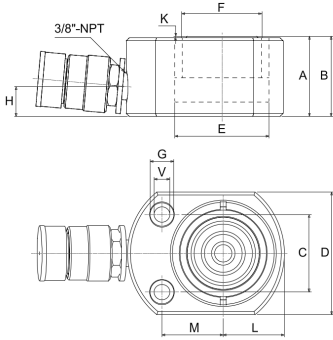


NSLS-500 [↗](#)

Hydraulic cylinder, 700 bar

BETEX NSLS Flat cylinder, single-acting,
spring return, 50T class

Technical information

**Your current product variant**

Series	NSLS	Flat cylinder
	50T	Capacity class 50

Technical data

	50	Capacity class (tons)
s_p	16 mm	Stroke
F_a	496 kN	Advance force, max.
P_{max}	700 bar	Operating pressure, max.
V_{oil}	113 cm ³	Oil capacity
A	66 mm	Height, retracted
B	82 mm	Height, extended
C	66,5 mm	Distance fixing holes
D	115 mm	Outer diameter
E	95 mm	Cylinder bore diameter
F	70 mm	Plunger diameter
H	19 mm	Base to advance port
K	2 mm	Saddle protrusion from plunger
L	57,5 mm	
M	58 mm	
V	11 mm	[Ø]
G	19 mm	[Ø]
$\approx m$	6,9 kg	Weight

Additional information

Hard chrome plated and hardened piston, Rolled inside of cylinder, Sandblasted outside with black nitride coating, Coupling with dust cap	Product specifics
---	-------------------