



View product details on medias

15.06.2026, 05:13:58 UTC

SCHAEFFLER

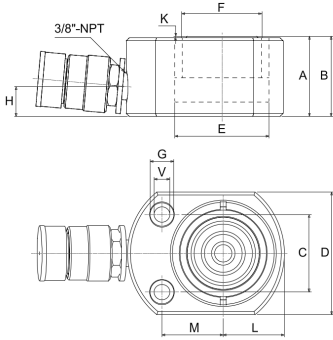


NSLS-1000 [↗](#)

Hydraulic cylinder, 700 bar

BETEX NSLS Flat cylinder, single-acting,
spring return, 100T class

Technical information

**Your current product variant**

Series	NSLS	Flat cylinder
	100T	Capacity class 100

Technical data

	100	Capacity class (tons)
s_p	16 mm	Stroke
F_a	1.002 kN	Advance force, max.
P_{max}	700 bar	Operating pressure, max.
V_{oil}	229 cm ³	Oil capacity
A	85 mm	Height, retracted
B	101 mm	Height, extended
C	76,2 mm	Distance fixing holes
D	160 mm	Outer diameter
E	135 mm	Cylinder bore diameter
F	92 mm	Plunger diameter
H	19 mm	Base to advance port
K	2 mm	Saddle protrusion from plunger
L	80 mm	
M	78 mm	
V	13,5 mm	[Ø]
G	20,5 mm	[Ø]
$\approx m$	14 kg	Weight

Additional information

Hard chrome plated and hardened piston, Rolled inside of cylinder, Sandblasted outside with black nitride coating, Coupling with dust cap	Product specifics
--	-------------------