



View product details on medias

14.06.2026, 10:15:43 UTC

SCHAEFFLER

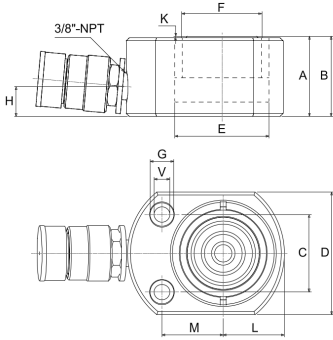


NSLS-1500 [↗](#)

Hydraulic cylinder, 700 bar

BETEX NSLS Flat cylinder, single-acting,
spring return, 150T class

Technical information

**Your current product variant**

Series	NSLS	Flat cylinder
	150T	Capacity class 150

Technical data

	150	Capacity class (tons)
s_p	17 mm	Stroke
F_a	1.496 kN	Advance force, max.
P_{max}	700 bar	Operating pressure, max.
V_{oil}	363 cm ³	Oil capacity
A	100 mm	Height, retracted
B	117 mm	Height, extended
C	117 mm	Distance fixing holes
D	195 mm	Outer diameter
E	165 mm	Cylinder bore diameter
F	115 mm	Plunger diameter
H	23 mm	Base to advance port
K	2 mm	Saddle protrusion from plunger
L	97,5 mm	
M	85 mm	
V	13,5 mm	[Ø]
G	20,5 mm	[Ø]
$\approx m$	27 kg	Weight

Additional information

Hard chrome plated and hardened piston, Rolled inside of cylinder, Sandblasted outside with black nitride coating, Coupling with dust cap	Product specifics
---	-------------------