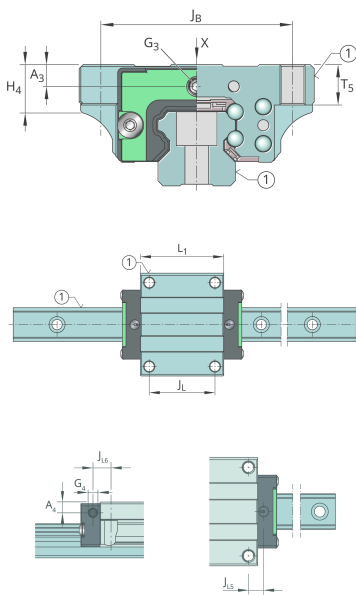


**KWLT25-A-V1-G4**

Recirculating ball bearing carriage

Standard flanged carriage, standard end plate, for four-row linear recirculating ball bearing and guideway assembly

Technical information

**Your current product variant**

Size code	25	
Carriage design	A	Standard design
Preload	V1	Slight preload (standard)
Accuracy class	G4	

Main Dimensions & Performance Data

H	36 mm	Height system
B	70 mm	Width carriage
L	81,8 mm	Overall length carriage
C	19.900 N	Dynamic load rating
C ₀	36.500 N	Basic static load capacity
M _{0x}	480 Nm	Static moment rating about X-axis
M _{0y}	340 Nm	Static moment rating about Y-axis
M _{0z}	340 Nm	Static moment rating about Z-axis
M _{0x}	240 Nm	Dynamic moment rating about X-axis
M _{0y}	305 Nm	Dynamic moment rating about y-axis
M _{0z}	305 Nm	Dynamic moment rating about Z-axis
m	0,58 kg	Weight



Mounting dimensions

A ₁	23,5 mm	Distance from locating edge on carriage to locating edge on guideway
A ₂	6,5 mm	Distance from locating edge to hole
L ₁	57 mm	Carrier length
H ₁	7 mm	Free space, system dimension
J _B	57 mm	Hole spacing
J _L	45 mm	Hole Spacing
A ₃	6,5 mm	Position lubrication connector
T ₅	12 mm	Thread depth
G ₂	M8	Thread size, DIN ISO 4762-12.9
G2 M _A	40 Nm	Maximum tightening torque

Additional information

VMKB_065	KWLT	Material name
----------	------	---------------