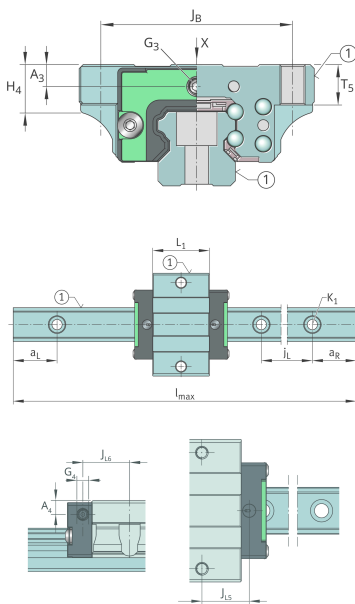


**KWLT20-AS-V0-G4** [↗](#)

Recirculating ball bearing carriage

Short flanged carriage, standard end plate,
for four-row linear recirculating ball bearing
and guideway assembly

Technical information



Your current product variant

Size Code	20	
Carriage design	AS	Short design
Preload	V0	Slight clearance
Accuracy class	G4	

Main Dimensions & Performance Data

H	30 mm	Height system
B	63 mm	Width carriage
L	53,9 mm	Overall length carriage
C	9.300 N	Dynamic load rating
C ₀	15.000 N	Basic static load capacity
M _{0x}	163 Nm	Static moment rating about X-axis
M _{0y}	83 Nm	Static moment rating about Y-axis
M _{0z}	83 Nm	Static moment rating about Z-axis
M _{0x}	95 Nm	Dynamic moment rating about X-axis
M _{0y}	78 Nm	Dynamic moment rating about y-axis
M _{0z}	78 Nm	Dynamic moment rating about Z-axis
≈m	280 g	Weight



Mounting dimensions

A ₁	21,5 mm	Distance from locating edge on carriage to locating edge on guideway
A ₂	5 mm	Distance from locating edge to hole
L ₁	32,1 mm	Carrier length
H ₁	5 mm	Free space, system dimension
J _B	53 mm	Hole spacing
A ₃	5,7 mm	Position lubrication connector
T ₅	9 mm	Thread depth
G ₂	M6	Thread size, DIN ISO 4762-12.9
G2 M _A	16,5 Nm	Maximum tightening torque

Additional information

VMKB_065	KWLT	Material name
----------	------	---------------