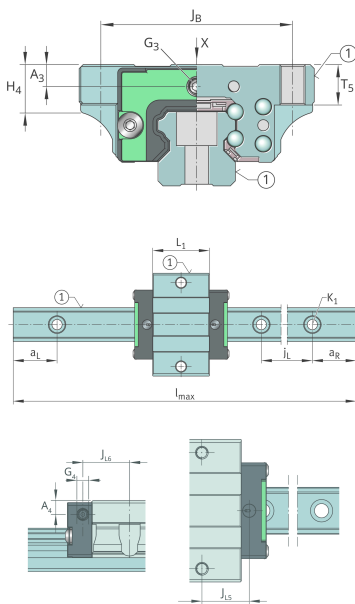


**KWLT30-AS-V1-G4**

Recirculating ball bearing carriage

Short flanged carriage, standard end plate,
for four-row linear recirculating ball bearing
and guideway assembly

Technical information



Your current product variant

Size Code	30	
Carriage design	AS	Short design
Preload	V1	Slight preload (standard)
Accuracy class	G4	

Main Dimensions & Performance Data

H	42 mm	Height system
B	90 mm	Width carriage
L	78 mm	Overall length carriage
C	20.700 N	Dynamic load rating
C ₀	33.000 N	Basic static load capacity
M _{0x}	530 Nm	Static moment rating about X-axis
M _{0y}	260 Nm	Static moment rating about Y-axis
M _{0z}	260 Nm	Static moment rating about Z-axis
M _{0x}	312 Nm	Dynamic moment rating about X-axis
M _{0y}	249 Nm	Dynamic moment rating about y-axis
M _{0z}	249 Nm	Dynamic moment rating about Z-axis
≈m	0,7 kg	Weight



Mounting dimensions

A ₁	31 mm	Distance from locating edge on carriage to locating edge on guideway
A ₂	9 mm	Distance from locating edge to hole
L ₁	45 mm	Carrier length
H ₁	9 mm	Free space, system dimension
J _B	72 mm	Hole spacing
A ₃	8 mm	Position lubrication connector
T ₅	11,5 mm	Thread depth
G ₂	M10	Thread size, DIN ISO 4762-12.9
G2 M _A	81 Nm	Maximum tightening torque

Additional information

VMKB_065	KWLT	Material name
----------	------	---------------